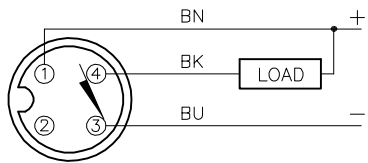
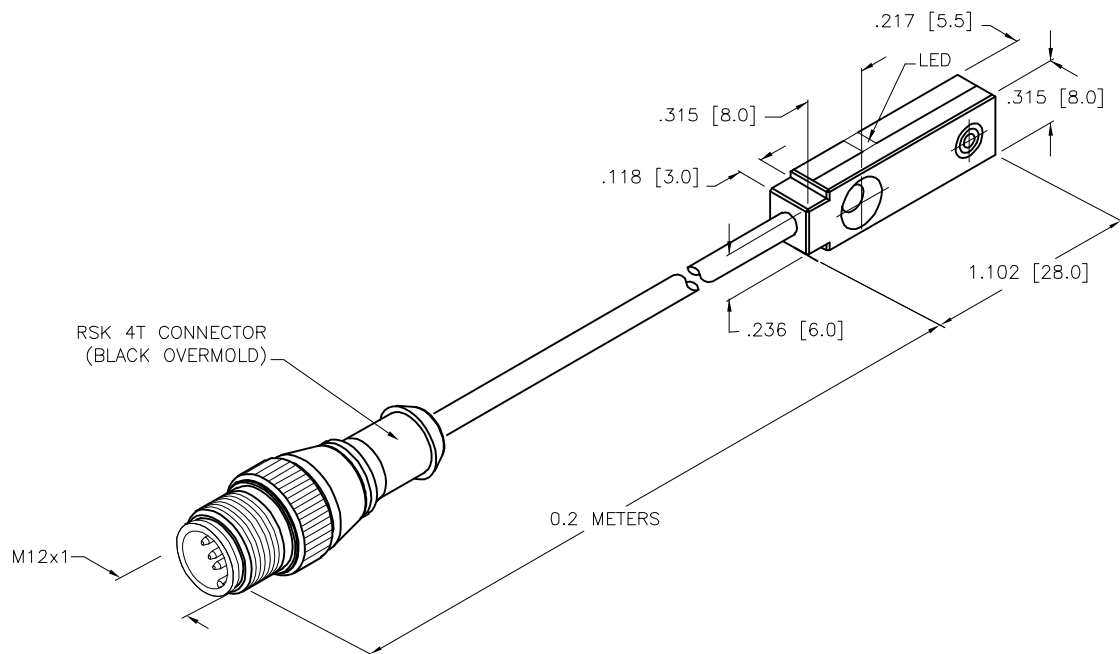


WIRING DIAGRAM



OUTPUT: RN6X

SHORT-CIRCUIT AND OVERLOAD PROTECTED



SPECIFICATIONS

RATED OPERATING DISTANCE	2 mm [.079"]
MOUNTING MODE	FLUSH
TEMPERATURE DRIFT	≤ ±10%
HYSTERESIS	3-15%
MIN. REPEAT ACCURACY	≤2%
OPERATING TEMPERATURE	-25°C to +70°C (-13°F to +158°F)
RATED OPERATIONAL VOLTAGE	10-30 VDC
RESIDUAL RIPPLE	≤10%
DC RATED OPERATIONAL CURRENT	≤150 mA
NO-LOAD CURRENT	≤15 mA
RESIDUAL CURRENT	≤0.1 mA
RATED INSULATION VOLTAGE	≤0.5 kV
SHORT-CIRCUIT PROTECTED	YES
MAX. VOLTAGE DROP	≤1.8 V
SWITCHING FREQUENCY	≤2.0 kHz
WIRE-BREAK PROTECTION	INCORPORATED
REVERSE POLARITY PROTECTION	INCORPORATED
OUTPUT FUNCTION	3-WIRE, NORMALLY CLOSED, NPN
HOUSING MATERIAL/COLOR	PLASTIC, PP/YELLOW
ACTIVE FACE	PLASTIC, PA12-GF20
CABLE	∅3.0, TPU
VIBRATION RESISTANCE	55 Hz (IN ALL 3 PLANES)
SHOCK RESISTANCE	30 g, 11 ms
DEGREE OF PROTECTION	IP 67
SWITCHING STATUS INDICATION	LED, YELLOW

SOURCE DRAWING - FOR REFERENCE ONLY

NOTES:

1. "/S771" DESIGNATES BLACK MOLD BODY.

RELATED DOCUMENTS 1. 2. 3. 4.	3RD ANGLE PROJECTION 	THIS DRAWING IS CONFIDENTIAL AND THE PROPERTY OF TURCK INC. USE OF THIS DOCUMENT WITHOUT WRITTEN PERMISSION IS PROHIBITED.		3000 CAMPUS DRIVE MINNEAPOLIS, MN 55441 1-800-544-7769 (763) 553-7300 (763) 553-0708 fax www.turck.us	
	MATERIAL SEE SPECIFICATIONS	ALL DIMENSIONS DISPLAYED ON THIS DRAWING ARE FOR REFERENCE ONLY  CONTACT TURCK FOR MORE INFORMATION	DRFT RDS DATE 08/03/11	DESCRIPTION BI2-Q5.5-RN6X-0.2-RSK4T/S771	
FINISH SEE SPECIFICATIONS	APVD		SCALE 1=1.0	IDENTIFICATION NO. 16131021	
		UNIT OF MEASUREMENT <b>INCH [ MILLIMETER ]</b>		FILE: 16131021	
		DO NOT SCALE THIS DRAWING		SHEET 1 OF 1	

C	UPDATE OPERATING TEMPERATURE	NF	05/14/21	76720
REV	DESCRIPTION	BY	DATE	ECO NO.