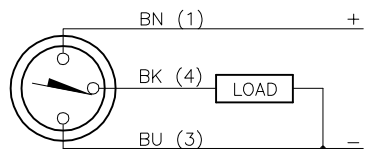
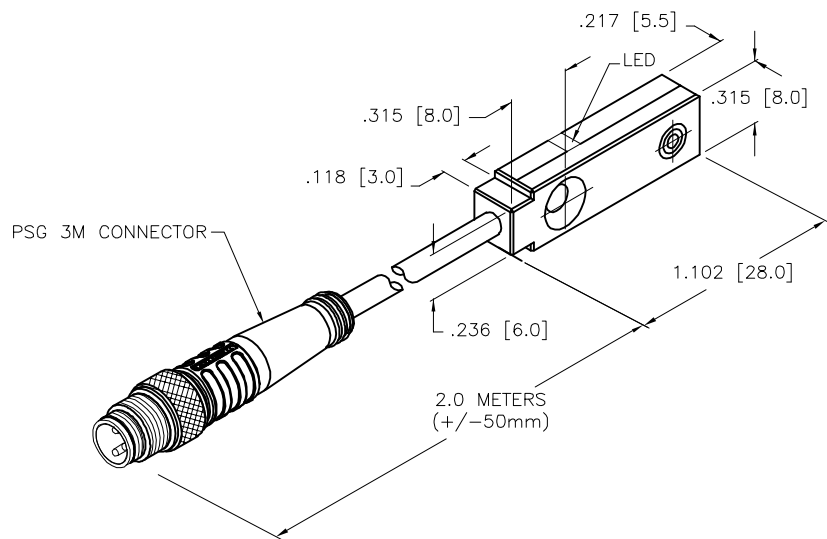


WIRING DIAGRAM



OUTPUT: AP6X

SHORT-CIRCUIT AND OVERLOAD PROTECTED



SPECIFICATIONS

|                                 |                                  |
|---------------------------------|----------------------------------|
| RATED OPERATING DISTANCE        | 2 mm [.079"]                     |
| MOUNTING MODE                   | FLUSH                            |
| TEMPERATURE DRIFT               | ≤ ±10%                           |
| HYSTERESIS (SWITCHING DISTANCE) | 3-15%                            |
| MIN. REPEAT ACCURACY            | ≤2%                              |
| OPERATING TEMPERATURE           | -25°C to +70°C (-13°F to +158°F) |
| RATED OPERATIONAL VOLTAGE       | 10-30 VDC                        |
| RESIDUAL RIPPLE                 | ≤10%                             |
| DC RATED OPERATIONAL CURRENT    | ≤150 mA                          |
| NO-LOAD CURRENT                 | ≤15 mA                           |
| RESIDUAL CURRENT                | ≤0.1 mA                          |
| RATED INSULATION VOLTAGE        | ≤0.5 kV                          |
| SHORT-CIRCUIT PROTECTED         | YES                              |
| MAX. VOLTAGE DROP               | ≤1.8 V                           |
| SWITCHING FREQUENCY             | ≤2.0 kHz                         |
| WIRE-BREAK PROTECTION           | INCORPORATED                     |
| REVERSE POLARITY PROTECTION     | INCORPORATED                     |
| OUTPUT FUNCTION                 | 3-WIRE, NORMALLY OPEN, PNP       |
| HOUSING MATERIAL/COLOR          | PLASTIC, PP/YELLOW               |
| ACTIVE FACE                     | PLASTIC, PA12-GF20               |
| CABLE                           | ∅3.0, LiYY-11Y, TPU              |
| VIBRATION RESISTANCE            | 55 Hz (IN ALL 3 PLANES)          |
| SHOCK RESISTANCE                | 30 g, 11 ms                      |
| DEGREE OF PROTECTION            | IP 67                            |
| SWITCHING STATUS INDICATION     | LED, YELLOW                      |

SOURCE DRAWING - FOR REFERENCE ONLY

|                                    |  |                           |   |  |     |  |          |
|------------------------------------|--|---------------------------|---|--|-----|--|----------|
| RELATED DOCUMENTS                  |  | 3RD ANGLE PROJECTION      |   | THIS DRAWING IS CONFIDENTIAL AND THE PROPERTY OF TURCK INC. USE OF THIS DOCUMENT WITHOUT WRITTEN PERMISSION IS PROHIBITED. |     | <p>3000 CAMPUS DRIVE<br/>MINNEAPOLIS, MN 55441<br/>1-800-544-7769<br/>(763) 553-7300<br/>(763) 553-0708 fax<br/>www.turck.us</p> |          |
| 1.                                 |  |                           | ALL DIMENSIONS DISPLAYED ON THIS DRAWING ARE FOR REFERENCE ONLY | DRFT   | RDS | DATE   | 10/04/07 |
| 2.                                 |  |                           |   | APVD   | AF  | SCALE  | 1=1.0    |
| 3.                                 |  | UNIT OF MEASUREMENT       |   |  |     | DESCRIPTION  |          |
| 4.                                 |  | INCH [ MILLIMETER ]       |   |  |     | B12-Q5.5-AP6X-2-PSG3M  |          |
| MATERIAL                           |  | SEE SPECIFICATIONS        |   | IDENTIFICATION NO.   |     | REV  |          |
| FINISH                             |  | SEE SPECIFICATIONS        |   | 16130821   |     | G  |          |
| CONTACT TURCK FOR MORE INFORMATION |  | DO NOT SCALE THIS DRAWING |   | FILE: 16130821   |     | SHEET 1 OF 1   |          |

|     |                     |    |          |         |
|-----|---------------------|----|----------|---------|
| G   | UPDATED TEMP RATING | ER | 05/14/21 | 76720   |
| REV | DESCRIPTION         | BY | DATE     | ECO NO. |