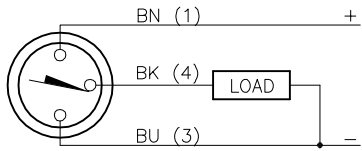


WIRING DIAGRAM

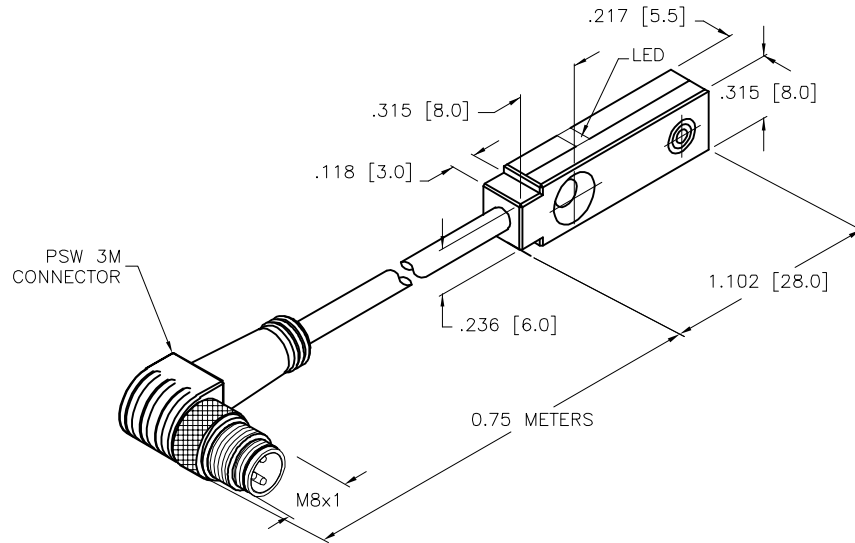


OUTPUT: AP6X

SHORT-CIRCUIT AND OVERLOAD PROTECTED

SPECIFICATIONS

| | |
|------------------------------|----------------------------------|
| RATED OPERATING DISTANCE | 2 mm [.079"] |
| MOUNTING MODE | FLUSH |
| REPEATABILITY | ≤2% |
| TEMPERATURE DRIFT | ≤ ±10% |
| HYSTERESIS | 3-15% |
| OPERATING TEMPERATURE | -25°C to +70°C (-13°F to +158°F) |
| RATED OPERATIONAL VOLTAGE | 10-30 VDC |
| RESIDUAL RIPPLE | ≤10% |
| DC RATED OPERATIONAL CURRENT | ≤150 mA |
| NO-LOAD CURRENT | ≤15 mA |
| RESIDUAL CURRENT | ≤0.1 mA |
| RATED INSULATION VOLTAGE | ≤0.5 kV |
| SHORT-CIRCUIT PROTECTED | YES |
| VOLTAGE DROP | ≤1.8 V |
| WIRE-BREAK PROTECTION | INCORPORATED |
| REVERSE POLARITY PROTECTION | INCORPORATED |
| OUTPUT FUNCTION | 3-WIRE, NORMALLY OPEN, PNP |
| SWITCHING FREQUENCY | ≤2.0 kHz |
| HOUSING MATERIAL/COLOR | PLASTIC, PP-GF20 |
| ACTIVE FACE | PLASTIC, PP-GF20 |
| CABLE | ∅3.0, TPU |
| VIBRATION RESISTANCE | 55 Hz (1mm) |
| SHOCK RESISTANCE | 30 g, (11 ms) |
| PROTECTION CLASS | IP 67 |
| SWITCHING STATE | LED, YELLOW |



SOURCE DRAWING - FOR REFERENCE ONLY

NOTES:

1. "/S34" DESIGNATES WELD FIELD IMMUNITY.

| | | | | | |
|---|---|--|------------------------------|--|----------|
| RELATED DOCUMENTS 1. 2. 3. 4. | 3RD ANGLE PROJECTION | THIS DRAWING IS CONFIDENTIAL AND THE PROPERTY OF TURCK INC. USE OF THIS DOCUMENT WITHOUT WRITTEN PERMISSION IS PROHIBITED. | | 3000 CAMPUS DRIVE MINNEAPOLIS, MN 55441 1-800-544-7769 (763) 553-7300 (763) 553-0708 fax www.turck.us | |
| | MATERIAL SEE SPECIFICATIONS | DRFT KMY APVD A.F. | DATE 10/02/13 SCALE 1=1.0 | DESCRIPTION BI2-Q5.5-AP6X-0.75-PSW3M/S34 | |
| FINISH SEE SPECIFICATIONS | ALL DIMENSIONS DISPLAYED ON THIS DRAWING ARE FOR REFERENCE ONLY | UNIT OF MEASUREMENT INCH [MILLIMETER] | | IDENTIFICATION NO. 16130014 | REV C |
| C UPDATE TEMPERATURE SPECS | RDS 05/14/21 | 76718 | DO NOT SCALE THIS DRAWING | | |
| REV DESCRIPTION | BY DATE | ECO NO. | FILE: 16130014 | SHEET 1 OF 1 | |