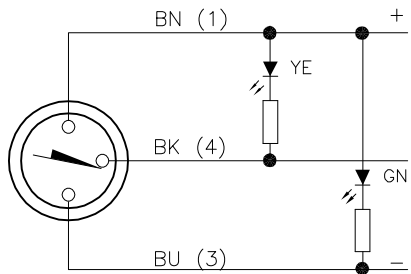


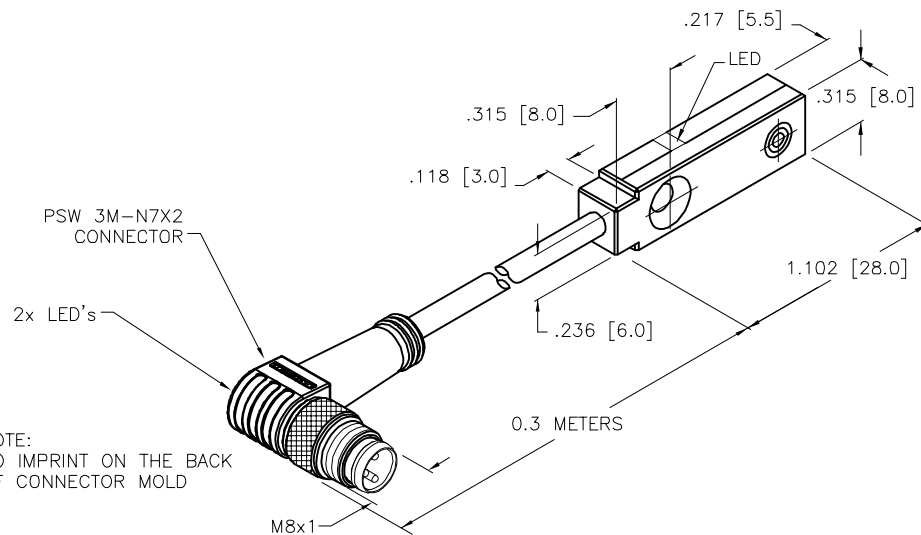
WIRING DIAGRAM



OUTPUT: AN6X
SHORT-CIRCUIT AND OVERLOAD PROTECTED

SPECIFICATIONS

RATED OPERATING DISTANCE	2mm = .079" (NOMINAL)
MOUNTING MODE	FLUSH
TEMPERATURE DRIFT	≤ ±10%
HYSTERESIS (SWITCHING DISTANCE)	3-15%
MIN. REPEAT ACCURACY	≤ 2%
OPERATING TEMPERATURE	-25°C to +70°C (-13°F to +158°F)
RATED OPERATIONAL VOLTAGE	10-30 VDC
MAX. RIPPLE	≤ 10%
RATED OPERATIONAL CURRENT	≤ 150 mA
NO-LOAD CURRENT	≤ 15 mA
MAX. OFF-STATE CURRENT	≤ 0.1 mA
RATED INSULATION VOLTAGE	≤ 0.5 kV
SHORT-CIRCUIT PROTECTION	YES, CYCLIC
MAX. VOLTAGE DROP	≤ 1.8 V
WIRE BREAKAGE PROTECTION	INCORPORATED
REVERSE POLARITY PROTECTION	INCORPORATED
OUTPUT FUNCTION	3-WIRE, NORMALLY OPEN, NPN
MAX. SWITCHING FREQUENCY	≤ 2 kHz
HOUSING MATERIAL/COLOR	PLASTIC, PP-GF20/YELLOW
ACTIVE FACE	PLASTIC, PP-GF30
CABLE	Ø3.0, TPU
VIBRATION RESISTANCE	55 Hz, 1 mm AMPLITUDE (IN ALL 3 PLANES)
SHOCK RESISTANCE	30 g, 11 ms
DEGREE OF PROTECTION	IP68 (SENSOR), IP67 (CONNECTOR)
SWITCHING STATUS INDICATION	LED, YELLOW
POWER ON INDICATION	LED, GREEN



NOTE:
NO IMPRINT ON THE BACK
OF CONNECTOR MOLD

SOURCE DRAWING - FOR REFERENCE ONLY

NOTES:

1. "/S1235" DESIGNATES INCREASED SEALING QUALITIES AT CABLE EXIT.

RELATED DOCUMENTS 1. 2. 3. 4.	3RD ANGLE PROJECTION 	THIS DRAWING IS CONFIDENTIAL AND THE PROPERTY OF TURCK INC. USE OF THIS DOCUMENT WITHOUT WRITTEN PERMISSION IS PROHIBITED.		3000 CAMPUS DRIVE MINNEAPOLIS, MN 55441 1-800-544-7769 (763) 553-7300 (763) 553-0708 fax www.turck.us		
	MATERIAL SEE SPECIFICATIONS	ALL DIMENSIONS DISPLAYED ON THIS DRAWING ARE FOR REFERENCE ONLY CONTACT TURCK FOR MORE INFORMATION	DRFT NF DATE 01/02/19	DESCRIPTION BI2-Q5.5-AN6X-0.3-PSW3M-N7X2/S1235		
			APVD A.F. SCALE 1=1.0	IDENTIFICATION NO. 1613078		REV C
	FINISH SEE SPECIFICATIONS	UNIT OF MEASUREMENT INCH [MILLIMETER]		FILE: 1613078 SHEET 1 OF 1		



C	UPDATE NOTES	NF	11/15/24	80835
REV	DESCRIPTION	BY	DATE	ECO NO.