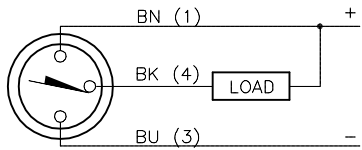


WIRING DIAGRAM

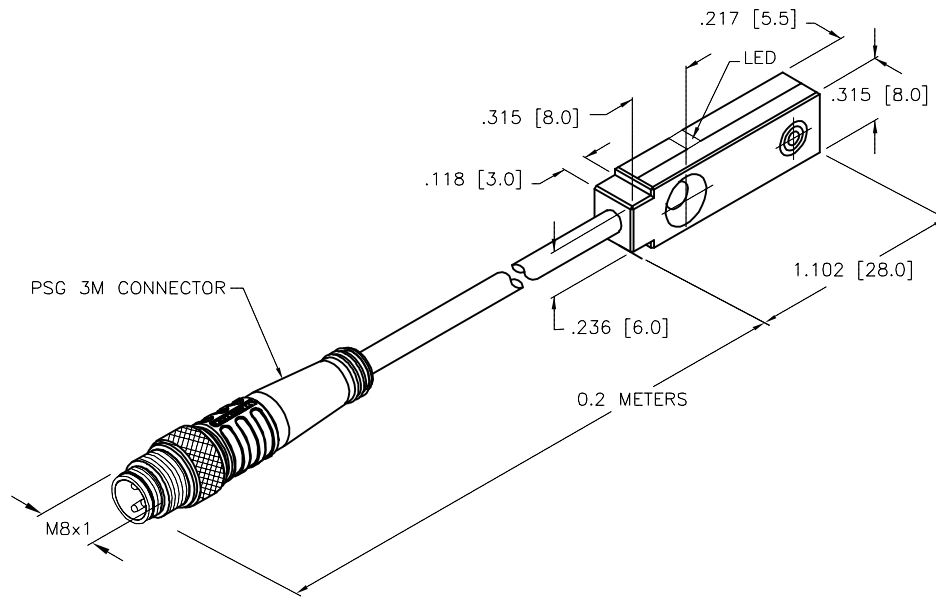


OUTPUT: AN6X

SHORT-CIRCUIT AND OVERLOAD PROTECTED

SPECIFICATIONS


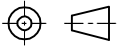
RATED OPERATING DISTANCE	2 mm [.079"]
MOUNTING MODE	FLUSH
TEMPERATURE DRIFT	≤ ±10%
HYSTERESIS	3-15%
MIN. REPEAT ACCURACY	≤2%
OPERATING TEMPERATURE	-25°C to +70°C (-13°F to +158°F)
RATED OPERATIONAL VOLTAGE	10-30 VDC
RESIDUAL RIPPLE	≤10%
DC RATED OPERATIONAL CURRENT	≤150 mA
NO-LOAD CURRENT	≤15 mA
RESIDUAL CURRENT	≤0.1 mA
RATED INSULATION VOLTAGE	≤0.5 kV
SHORT-CIRCUIT PROTECTED	YES
MAX. VOLTAGE DROP	≤ 1.8 V
SWITCHING FREQUENCY	≤2.0 kHz
WIRE-BREAK PROTECTION	INCORPORATED
REVERSE POLARITY PROTECTION	INCORPORATED
OUTPUT FUNCTION	3-WIRE, NORMALLY OPEN, NPN
HOUSING MATERIAL/COLOR	PLASTIC, PP-GF20/YELLOW
ACTIVE FACE	PLASTIC, PP-GF20
CABLE	∅3.0, TPU
VIBRATION RESISTANCE	55 Hz (IN ALL 3 PLANES)
SHOCK RESISTANCE	30 g, 11 ms
DEGREE OF PROTECTION	IP 68
SWITCHING STATUS INDICATION	LED, YELLOW



SOURCE DRAWING - FOR REFERENCE ONLY

NOTES:

1. "/S1235" DESIGNATES INCREASED SEALING QUALITIES AT CABLE EXIT.

RELATED DOCUMENTS		3RD ANGLE PROJECTION		THIS DRAWING IS CONFIDENTIAL AND THE PROPERTY OF TURCK INC. USE OF THIS DOCUMENT WITHOUT WRITTEN PERMISSION IS PROHIBITED.		 3000 CAMPUS DRIVE MINNEAPOLIS, MN 55441 1-800-544-7769 (763) 553-7300 (763) 553-0708 fax www.turck.us	
1. 2. 3. 4.				DRFT NF	DATE 05/04/17	DESCRIPTION	
MATERIAL		ALL DIMENSIONS DISPLAYED ON THIS DRAWING ARE FOR REFERENCE ONLY		APVD A.F.	SCALE 1=1.0	BI 2-Q5.5-AN6X-0.2M-PSG 3M/S1235	
SEE SPECIFICATIONS		CONTACT TURCK FOR MORE INFORMATION		UNIT OF MEASUREMENT		IDENTIFICATION NO.	
FINISH		SEE SPECIFICATIONS		INCH [MILLIMETER]		16130328	
A DRAWING RELEASE		NF	06/01/17	DO NOT SCALE THIS DRAWING		REV A	
REV DESCRIPTION		BY	DATE	FILE: 16130328		SHEET 1 OF 1	

A	DRAWING RELEASE	NF	06/01/17	ECO NO.
REV	DESCRIPTION	BY	DATE	ECO NO.