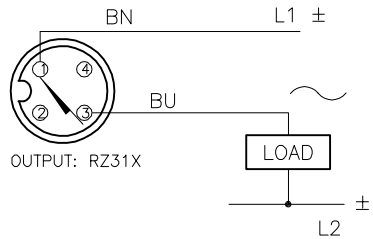
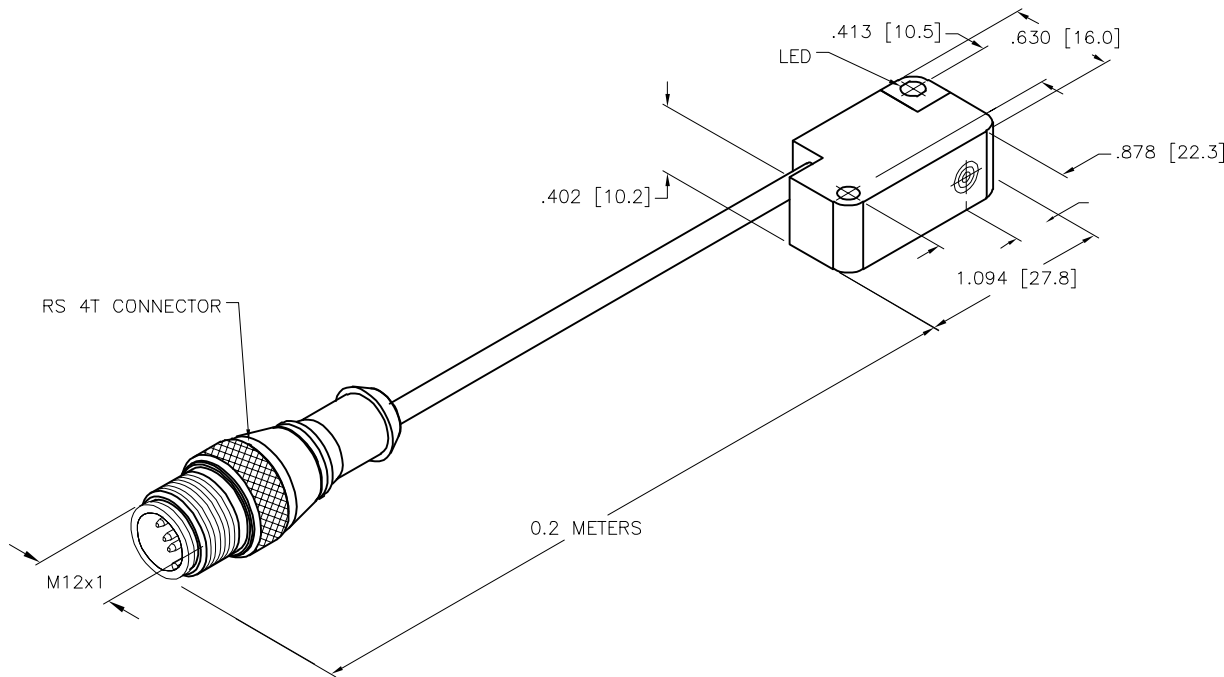


WIRING DIAGRAM



WARNING: NO SHORT-CIRCUIT PROTECTION.
ALWAYS WIRE A LOAD IN SERIES WITH THE SENSOR.



SPECIFICATIONS

RATED OPERATING DISTANCE	2mm = .079" (NOMINAL)
MOUNTING MODE	FLUSH
TEMPERATURE DRIFT	≤ ±10%
HYSTERESIS	3-15%
MIN. REPEAT ACCURACY	≤ 2%
OPERATING TEMPERATURE	-25°C to +70°C (-13°F to +158°F)
OPERATING VOLTAGE (AC/DC)	20-250 VAC/10-300 VDC
RATED OPERATIONAL CURRENT (AC/DC)	≤ 100mA/≤ 100mA
MAINS FREQUENCY	50-60 Hz
RESIDUAL CURRENT	≤ 1.7 mA
RATED INSULATION VOLTAGE	≤ 1.5 kV
SURGE CURRENT	≤ 1.0 A (≤ 10 ms. max. 5 Hz)
MAX. VOLTAGE DROP	≤ 6.0 V
OUTPUT FUNCTION	2-WIRE, NORMALLY CLOSED
SMALLEST OPERATING CURRENT	≥ 3.0 mA
MAX. SWITCHING FREQUENCY	≤ 0.02 kHz
HOUSING MATERIAL	PLASTIC, PP-GF20
ACTIVE FACE	PLASTIC, PP-GF20
CABLE	∅3.0, TPU
VIBRATION RESISTANCE	55 Hz, 1 mm AMPLITUDE (IN ALL 3 PLANES)
SHOCK RESISTANCE	30 g, 11 ms
DEGREE OF PROTECTION	IP67
SWITCHING STATUS INDICATION	LED, YELLOW

SOURCE DRAWING - FOR REFERENCE ONLY

RELATED DOCUMENTS 1. 2. 3. 4.	3RD ANGLE PROJECTION 	THIS DRAWING IS CONFIDENTIAL AND THE PROPERTY OF TURCK INC. USE OF THIS DOCUMENT WITHOUT WRITTEN PERMISSION IS PROHIBITED.		3000 CAMPUS DRIVE MINNEAPOLIS, MN 55441 1-800-544-7769 (763) 553-7300 (763) 553-0708 fax www.turck.us		
	MATERIAL SEE SPECIFICATIONS	ALL DIMENSIONS DISPLAYED ON THIS DRAWING ARE FOR REFERENCE ONLY	DRFT AS	DATE 08/12/25	DESCRIPTION BI2-Q10S-RZ31X-0.2-RS4T	
			APVD A.F.	SCALE 1=1.0		
	FINISH SEE SPECIFICATIONS	CONTACT TURCK FOR MORE INFORMATION	UNIT OF MEASUREMENT INCH [MILLIMETER]		IDENTIFICATION NO. 200016542	REV A
DO NOT SCALE THIS DRAWING		FILE: 200016542		SHEET 1 OF 1		

A	DRAWING RELEASE	AS	08/13/25	
REV	DESCRIPTION	BY	DATE	ECO NO.