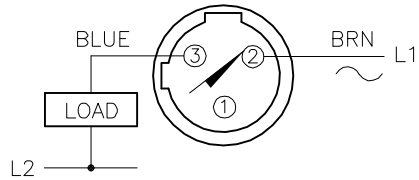
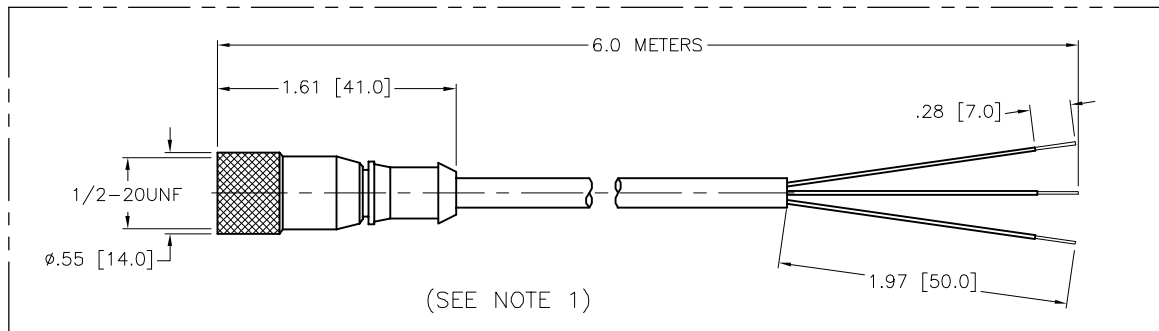
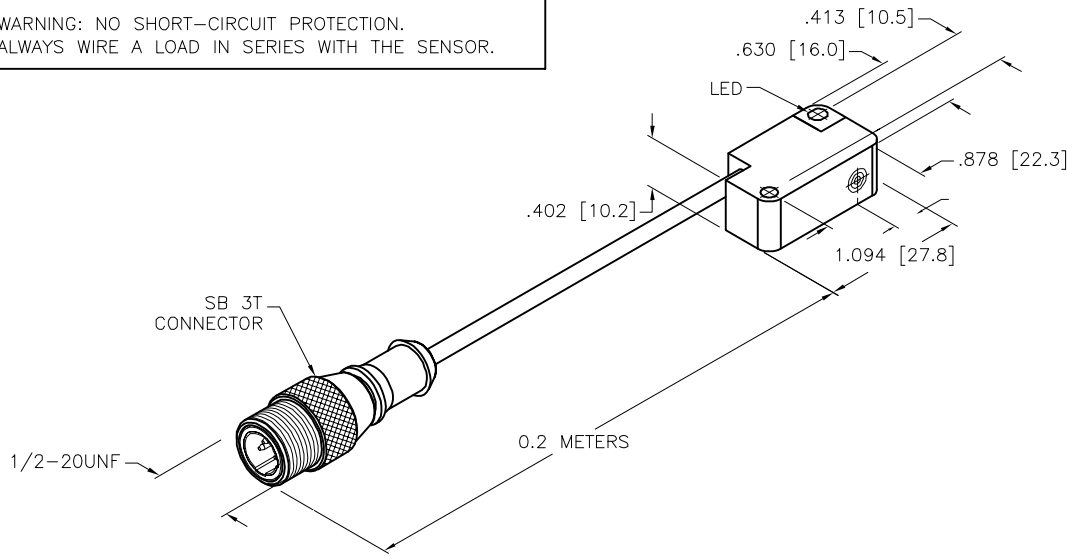


WIRING DIAGRAM



OUTPUT: AZ31X

WARNING: NO SHORT-CIRCUIT PROTECTION.
ALWAYS WIRE A LOAD IN SERIES WITH THE SENSOR.



NOTES:

1. "/CS10719" DESIGNATES SENSOR BAGGED WITH 6 METER STRAIGHT FEMALE MICRO USING CABLE 101550584 (1-GN/YE, 2-BN, 3-BU)

SPECIFICATIONS

RATED OPERATING DISTANCE	2mm = .079"
MOUNTING MODE	FLUSH
TEMPERATURE DRIFT	$\leq \pm 10\%$
HYSTERESIS	3-15%
MIN. REPEAT ACCURACY	$\leq 2\%$
OPERATING TEMPERATURE	-25°C to +70°C (-13°F to +158°F)
OPERATING VOLTAGE (AC/DC)	20-250 VAC/10-300 VDC
RATED OPERATIONAL CURRENT (AC/DC)	$\leq 100\text{mA}/\leq 100\text{mA}$
MAINS FREQUENCY	50-60 Hz
RESIDUAL CURRENT	$\leq 1.7 \text{ mA}$
RATED INSULATION VOLTAGE	$\leq 1.5 \text{ kV}$
SURGE CURRENT	$\leq 1.0 \text{ A} (\leq 10 \text{ ms. max. } 5 \text{ Hz})$
MAX. VOLTAGE DROP	$\leq 6.0 \text{ V}$
OUTPUT FUNCTION	2-WIRE, NORMALLY OPEN
SMALLEST OPERATING CURRENT	$\geq 3.0 \text{ mA}$
MAX. SWITCHING FREQUENCY	$\leq 0.06 \text{ kHz}$
HOUSING MATERIAL	PLASTIC, PP-GF20
ACTIVE FACE	PLASTIC, PP-GF20
CABLE	$\phi 3.0$, Lif9Y-11Y, TPU
VIBRATION RESISTANCE	55 Hz, 1 mm AMPLITUDE (IN ALL 3 PLANES)
SHOCK RESISTANCE	30 g, 11 ms
DEGREE OF PROTECTION	IP67
SWITCHING STATUS INDICATION	LED, YELLOW

SOURCE DRAWING - FOR REFERENCE ONLY

<p>RELATED DOCUMENTS</p> <ol style="list-style-type: none"> 1. 2. 3. 4. 		<p>3RD ANGLE PROJECTION</p>		<p>THIS DRAWING IS CONFIDENTIAL AND THE PROPERTY OF TURCK INC. USE OF THIS DOCUMENT WITHOUT WRITTEN PERMISSION IS PROHIBITED.</p>		<p>3000 CAMPUS DRIVE MINNEAPOLIS, MN 55441 1-800-544-7769 (763) 553-7300 (763) 553-0708 fax www.turck.us</p>	
		<p>MATERIAL</p>		<p>DRFT AS DATE 12/01/23</p>		<p>DESCRIPTION BI2-Q10S-AZ31X-0.2-SB3T/CS10719</p>	
<p>FINISH</p>		<p>ALL DIMENSIONS DISPLAYED ON THIS DRAWING ARE FOR REFERENCE ONLY</p>		<p>APVD A.F. SCALE 1=1.3</p>		<p>UNIT OF MEASUREMENT INCH [MILLIMETER]</p>	
<p>CONTACT TURCK FOR MORE INFORMATION</p>		<p>DO NOT SCALE THIS DRAWING</p>		<p>IDENTIFICATION NO. 1309188</p>		<p>REV A</p>	
<p>ECO NO.</p>		<p>FILE: 1309188</p>		<p>SHEET 1 OF 1</p>			

A	DRAWING RELEASE	AS	12/01/23	
REV	DESCRIPTION	BY	DATE	ECO NO.