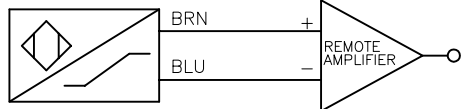
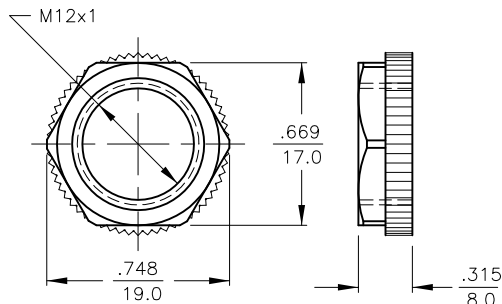


WIRING DIAGRAM



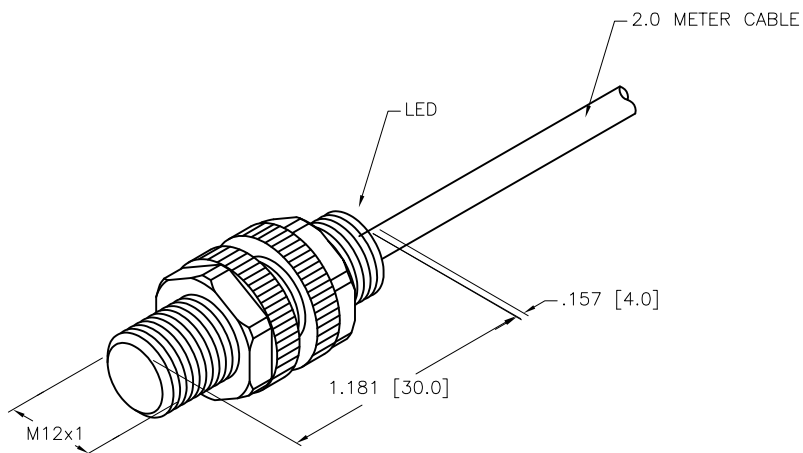
OUTPUT: Y0X

LOCKNUT LN-P12



SPECIFICATIONS

RATED OPERATING DISTANCE	2mm = .079"
MOUNTING MODE	FLUSH
TEMPERATURE DRIFT	≤±10%
HYSTERESIS	1-10%
MIN. REPEAT ACCURACY	≤2%
OPERATING TEMPERATURE	-40°C to +70°C (-40°F to +158°F)
OUTPUT FUNCTION	2-WIRE, NAMUR
MAX. SWITCHING FREQUENCY	≤2.0 kHz
VOLTAGE	8.2 VDC (NOMINAL)
NON-ACTUATED CURRENT CONSUMPTION	≥2.1 mA
ACTUATED CURRENT CONSUMPTION	≤1.2 mA
HOUSING MATERIAL	PLASTIC, PA12-GF20
ACTIVE FACE MATERIAL	PLASTIC, PA12-GF30
END CAP MATERIAL	PLASTIC, TROGAMID T
CABLE	ø5.2mm OD, SILICONE
VIBRATION RESISTANCE	55 Hz (IN ALL 3 PLANES)
SHOCK RESISTANCE	30 g, 11 ms
DEGREE OF PROTECTION	IP 67
SWITCHING STATUS INDICATION	LED: YELLOW



NOTES:

1. "/S97" INDICATES LOW TEMPERATURE SENSOR RATING TO -40°C.
2. "/F2" DESIGNATES ALTERNATE SWITCHING FREQUENCY.

SOURCE DRAWING - FOR REFERENCE ONLY

RELATED DOCUMENTS		3RD ANGLE PROJECTION		THIS DRAWING IS CONFIDENTIAL AND THE PROPERTY OF TURCK INC. USE OF THIS DOCUMENT WITHOUT WRITTEN PERMISSION IS PROHIBITED.		3000 CAMPUS DRIVE MINNEAPOLIS, MN 55441 1-800-544-7769 (763) 553-7300 (763) 553-0708 fax www.turck.us	
1. 2. 3. 4.				DRFT RDS DATE 01/31/12 APVD J.M. SCALE 1=1.0		DESCRIPTION BI2-P12-Y0X/S97/F2	
MATERIAL SEE SPECIFICATIONS		ALL DIMENSIONS DISPLAYED ON THIS DRAWING ARE FOR REFERENCE ONLY CONTACT TURCK FOR MORE INFORMATION		UNIT OF MEASUREMENT INCH [MILLIMETER]		IDENTIFICATION NO. 4030093	
FINISH SEE SPECIFICATIONS				DO NOT SCALE THIS DRAWING		REV D	
D	UPDATE ID NUMBER PER HARMONIZATION PROJECT	CBM	11/06/17	FILE: 4030093		SHEET 1 OF 1	
REV	DESCRIPTION	BY	DATE	ECO NO.			