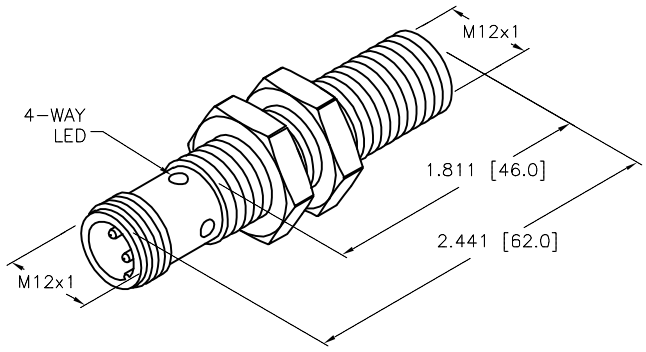


SPECIFICATIONS	
RATED OPERATING DISTANCE	2mm [.079"]
MOUNTING MODE	FLUSH
HYSTERESIS	1-10%
TEMPERATURE DRIFT	≤ ±10%
MIN. REPEAT ACCURACY	≤ 2.0%
OPERATING TEMPERATURE	-40°C to +70°C (-40°F to +158°F)
OUTPUT FUNCTION	2-WIRE, NAMUR
OPERATING VOLTAGE	8.2 VDC
NON-ACTUATED CURRENT CONSUMPTION	≥ 2.1 mA
ACTUATED CURRENT CONSUMPTION	≤ 1.2 mA
SWITCHING FREQUENCY	≤ 5.0 kHz
HOUSING MATERIAL	METAL, V2A (1.4301)
ACTIVE FACE MATERIAL	PLASTIC, PA12-GF30
CONNECTION	M12x1
SHOCK RESISTANCE	30 g, 11 ms
VIBRATION RESISTANCE	55 Hz, 1 mm AMPLITUDE (IN ALL 3 PLANES)
DEGREE OF PROTECTION	IP67
SWITCHING STATUS INDICATION	LED; YELLOW



SOURCE DRAWING - FOR REFERENCE ONLY

NOTES:
1. "/S97" DESIGNATES LOW OPERATING TEMPERATURE: -40°C

RELATED DOCUMENTS 1. 2. 3. 4.	3RD ANGLE PROJECTION 	THIS DRAWING IS CONFIDENTIAL AND THE PROPERTY OF TURCK INC. USE OF THIS DOCUMENT WITHOUT WRITTEN PERMISSION IS PROHIBITED.		3000 CAMPUS DRIVE MINNEAPOLIS, MN 55441 1-800-544-7769 (763) 553-7300 (763) 553-0708 fax www.turck.us	
	MATERIAL	DRFT TV	DATE 12/01/17	DESCRIPTION BI2-M12E-YOX-H1141/S97	
FINISH	ALL DIMENSIONS DISPLAYED ON THIS DRAWING ARE FOR REFERENCE ONLY	APVD A.F.	SCALE 1=1.0	IDENTIFICATION NO. 4606492	
	CONTACT TURCK FOR MORE INFORMATION	UNIT OF MEASUREMENT INCH [MILLIMETER]		REV A	
A	DRAWING RELEASE	NF	12/01/17	DO NOT SCALE THIS DRAWING	
REV	DESCRIPTION	BY	DATE	ECO NO.	FILE: 4606492
					SHEET 1 OF 1