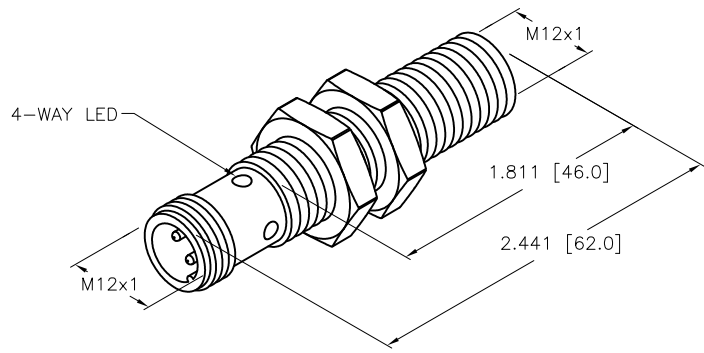


SPECIFICATIONS	
RATED OPERATING DISTANCE	2mm = 0.79"
HYSTERESIS	3-15%
TEMPERATURE DRIFT	≤±10%
MIN. REPEAT ACCURACY	≤ 2%
OPERATING TEMPERATURE	-25°C to +70°C (-13°F to +158°F)
RATED OPERATIONAL VOLTAGE	10-30 VDC
RESIDUAL RIPPLE	≤10%
DC RATED OPERATIONAL CURRENT	≤ 200 mA
NO-LOAD CURRENT	≤ 15 mA
RESIDUAL CURRENT	≤ 0.1 mA
MAX. SWITCHING FREQUENCY	≤ 2.0 kHz
RATED INSULATION VOLTAGE	≤ 0.5 kV
SHORT-CIRCUIT PROTECTED	YES
MAX. VOLTAGE DROP	≤ 1.8 V
REVERSE POLARITY PROTECTION	INCORPORATED
WIRE-BREAK PROTECTION	INCORPORATED
OUTPUT FUNCTION	NORMALLY OPEN, 3-WIRE, PNP
HOUSING MATERIAL	METAL, BRASS/CHROME-PLATED
CONNECTION	M12x1
SHOCK	30 g, 11 ms
VIBRATION	55 Hz, 1 mm AMPLITUDE (IN ALL 3 PLANES)
DEGREE OF PROTECTION	IP67
SWITCHING STATUS INDICATION	LED: YELLOW



SOURCE DRAWING - FOR REFERENCE ONLY

NOTES:

1. "/CS11262" DESIGNATES SENSOR BAGGED WITH RK 4T-4 CORDSET.

RELATED DOCUMENTS		3RD ANGLE PROJECTION		THIS DRAWING IS CONFIDENTIAL AND THE PROPERTY OF TURCK INC. USE OF THIS DOCUMENT WITHOUT WRITTEN PERMISSION IS PROHIBITED.		3000 CAMPUS DRIVE MINNEAPOLIS, MN 55441 1-800-544-7769 (763) 553-7300 (763) 553-0708 fax www.turck.us	
1. 2. 3. 4.				DRFT RDS		DATE 01/21/13	
MATERIAL  SEE NOTES				APVD A.F.		SCALE 1=1.0	
FINISH  SEE NOTES		ALL DIMENSIONS DISPLAYED ON THIS DRAWING ARE FOR REFERENCE ONLY		UNIT OF MEASUREMENT <b>INCH [ MILLIMETER ]</b>		DESCRIPTION BI2-M12E-AP6X-H1141/CS11262	
						CONTACT TURCK FOR MORE INFORMATION	
B UPDATE ID NUMBER PER HARMONIZATION PROJECT		CBM 12/20/17		DO NOT SCALE THIS DRAWING		FILE: 46065050	
REV DESCRIPTION		BY DATE ECO NO.				SHEET 1 OF 1	