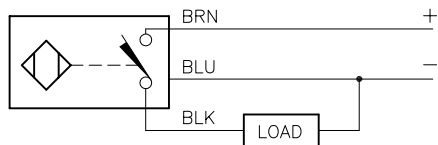


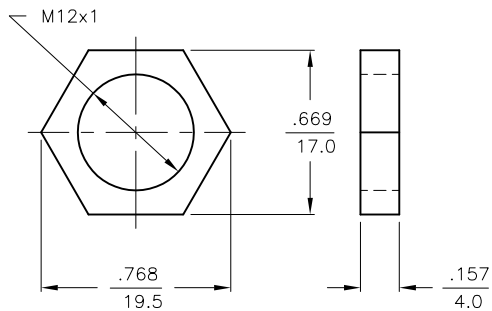
WIRING DIAGRAMS



OUTPUT: AP6X

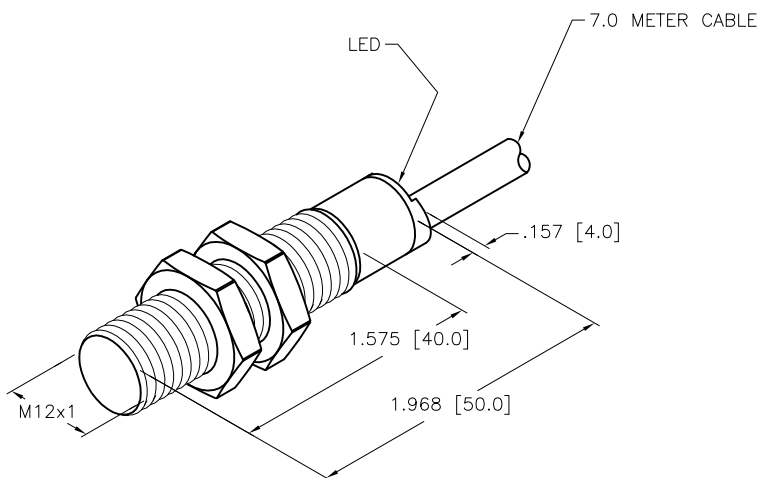
SHORT-CIRCUIT AND OVERLOAD PROTECTED

LOCKNUT LN-M12



SPECIFICATIONS

RATED OPERATING DISTANCE	2mm = .079"
MOUNTING MODE	FLUSH
TEMPERATURE DRIFT	≤±10%
HYSTERESIS	3-15%
MIN. REPEAT ACCURACY	≤ 2%
OPERATING TEMPERATURE	-25°C to +70°C (+13°F to +158°F)
RATED OPERATIONAL VOLTAGE	10-30 VDC
MAX. RIPPLE	≤ 10%
DC RATED OPERATIONAL CURRENT	≤ 200 mA
NO-LOAD CURRENT	≤ 15 mA
MAX. OFF-STATE CURRENT	≤ 0.1 mA
RATED INSULATION VOLTAGE	≤ 0.5 kV
SHORT-CIRCUIT PROTECTION	YES
MAX. VOLTAGE DROP	≤ 1.8 V
WIRE BREAKAGE PROTECTION	INCORPORATED
REVERSE POLARITY PROTECTION	INCORPORATED
MAX. SWITCHING FREQUENCY	≤ 2.0 kHz
OUTPUT FUNCTION	3-WIRE, NORMALLY OPEN, PNP
HOUSING MATERIAL	METAL, BRASS, CHROME-PLATED
ACTIVE FACE	PLASTIC, PA12-GF20
END CAP	PLASTIC, EPTR
CABLE	ø5.2, LiFYY, PVC
VIBRATION RESISTANCE	55 Hz (IN ALL 3 PLANES)
SHOCK RESISTANCE	30 g, 11 ms
DEGREE OF PROTECTION	IP67
SWITCHING STATUS INDICATION	LED, YELLOW



NOTES:

1. "/S521" DESIGNATES 40mm OF THREAD AND AN OVERALL BARREL LENGTH OF 50mm.

SOURCE DRAWING - FOR REFERENCE ONLY

RELATED DOCUMENTS 1. 2. 3. 4.	3RD ANGLE PROJECTION 	THIS DRAWING IS CONFIDENTIAL AND THE PROPERTY OF TURCK INC. USE OF THIS DOCUMENT WITHOUT WRITTEN PERMISSION IS PROHIBITED.		3000 CAMPUS DRIVE MINNEAPOLIS, MN 55441 1-800-544-7769 (763) 553-7300 (763) 553-0708 fax www.turck.us	
	MATERIAL	DRFT RDS	DATE 05/21/08	DESCRIPTION BI2-M12-AP6X/S521 7M	
FINISH	ALL DIMENSIONS DISPLAYED ON THIS DRAWING ARE FOR REFERENCE ONLY	APVD	SCALE 1=1.0	IDENTIFICATION NO. 4606586	
UNIT OF MEASUREMENT INCH [MILLIMETER]	CONTACT TURCK FOR MORE INFORMATION	DO NOT SCALE THIS DRAWING		REV B	FILE: 4606586
B UPDATE ID NUMBER PER HARMONIZATION PROJECT	CBM 11/06/17	ECO NO.		SHEET 1 OF 1	
REV DESCRIPTION	BY DATE	ECO NO.		SHEET 1 OF 1	