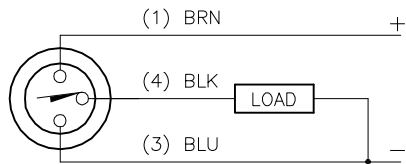


WIRING DIAGRAM

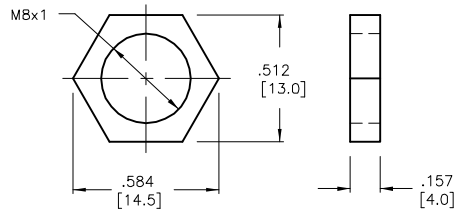
LOCKNUT LN-SS8

SPECIFICATIONS

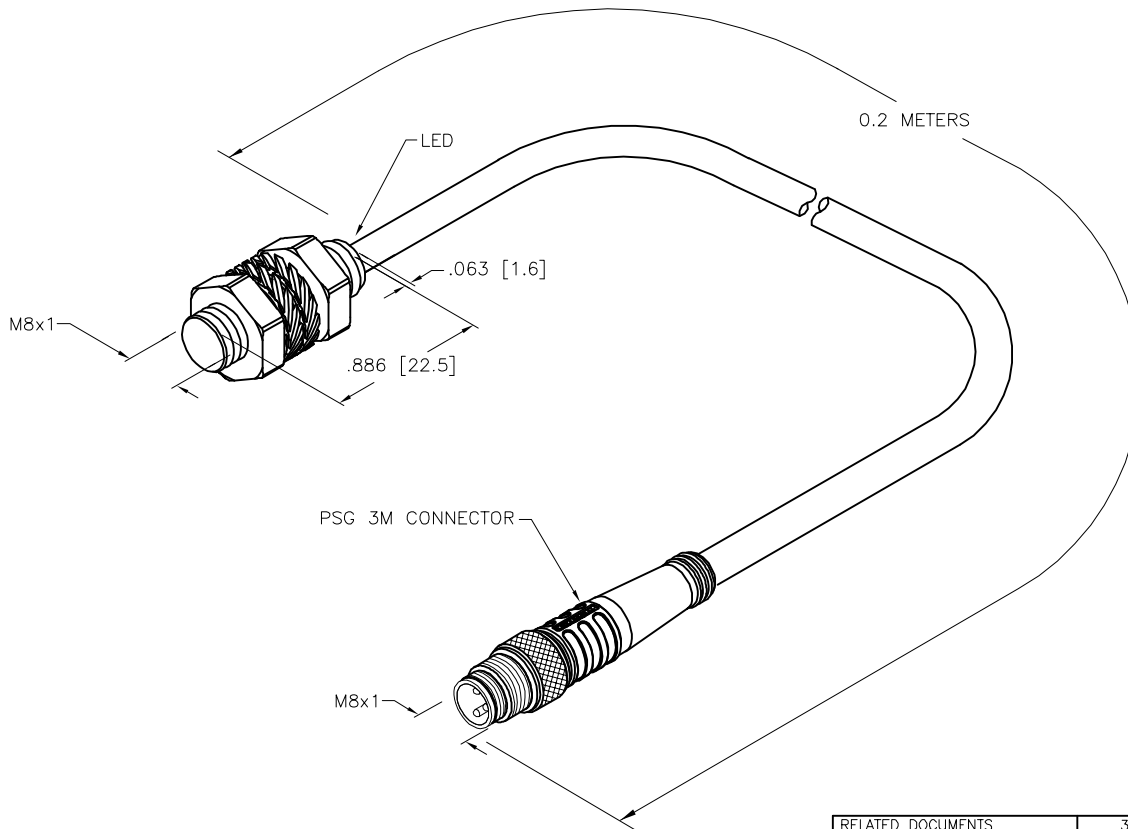


OUTPUT: AP6X


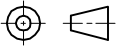
SHORT-CIRCUIT AND OVERLOAD PROTECTED



RATED OPERATING DISTANCE	2.0mm = .079"
MOUNTING MODE	FLUSH
MIN. REPEAT ACCURACY	≤ 2%
TEMPERATURE DRIFT	≤ ± 10%
HYSTERESIS	3-15%
OPERATING TEMPERATURE	-25°C to +70°C (-13°F to +158°F)
RATED OPERATIONAL VOLTAGE	10-30 VDC
RESIDUAL RIPPLE	≤ 10%
RATED OPERATIONAL CURRENT (DC)	≤ 150 mA
NO-LOAD CURRENT	≤ 15 mA
RESIDUAL CURRENT	≤ 0.1 mA
RATED INSULATION VOLTAGE	≤ 0.5 kV
SHORT-CIRCUIT PROTECTED	YES
MAX VOLTAGE DROP	≤ 1.8 V
WIRE BREAKAGE PROTECTION	INCORPORATED
REVERSE POLARITY PROTECTION	INCORPORATED
OUTPUT FUNCTION	3-WIRE, NO CONTACT, PNP
MAX. SWITCHING FREQUENCY	≤ 2.8 kHz
HOUSING MATERIAL	CuZn
ACTIVE FACE MATERIAL	PLASTIC, PP-GF20
END CAP MATERIAL	PLASTIC, PP-GF20
CABLE	∅3.0, LifYY-11Y, PUR, 2
SHOCK RESISTANCE	30 g, 11 ms
VIBRATION RESISTANCE	55 Hz, 1 mm AMPLITUDE (IN ALL 3 PLANES)
DEGREE OF PROTECTION	IP67
SWITCHING STATUS INDICATION	LED: YELLOW



SOURCE DRAWING - FOR REFERENCE ONLY

RELATED DOCUMENTS		3RD ANGLE PROJECTION		THIS DRAWING IS CONFIDENTIAL AND THE PROPERTY OF TURCK INC. USE OF THIS DOCUMENT WITHOUT WRITTEN PERMISSION IS PROHIBITED.		 3000 CAMPUS DRIVE MINNEAPOLIS, MN 55441 1-800-544-7769 (763) 553-7300 (763) 553-0708 fax www.turck.us	
1.			DRFT	NF	DATE	12/18/20	DESCRIPTION
2.			APVD	A.F.	SCALE	1=1.0	
3.			UNIT OF MEASUREMENT				IDENTIFICATION NO.
4.			INCH [MILLIMETER]				
MATERIAL		SEE SPECIFICATIONS		ALL DIMENSIONS DISPLAYED ON THIS DRAWING ARE FOR REFERENCE ONLY		REV	
FINISH		SEE SPECIFICATIONS		CONTACT TURCK FOR MORE INFORMATION		A	
A		DRAWING RELEASE		RDS		12/21/20	
REV		DESCRIPTION		BY		DATE	
				ECO NO.		FILE: 100026380	
						SHEET 1 OF 1	

A	DRAWING RELEASE	RDS	12/21/20	
REV	DESCRIPTION	BY	DATE	ECO NO.