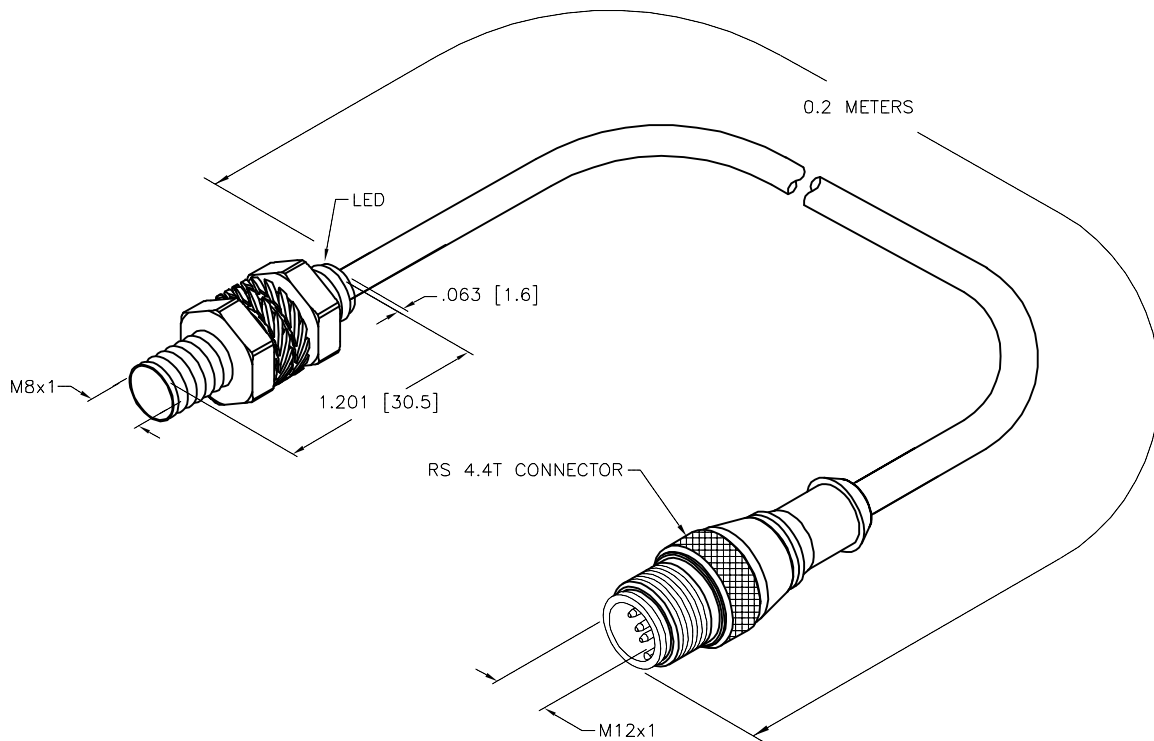


SPECIFICATIONS

RATED OPERATING DISTANCE	2.0 mm = .079"
MOUNTING MODE	FLUSH
MIN. REPEAT ACCURACY	≤ 2%
TEMPERATURE DRIFT	≤ ± 10%
HYSTERESIS	3-15%
OPERATING TEMPERATURE	-25°C to +70°C (-13°F to +158°F)
RATED OPERATIONAL VOLTAGE	10-30 VDC
RESIDUAL RIPPLE	≤ 10%
RATED OPERATIONAL CURRENT (DC)	≤ 150 mA
NO-LOAD CURRENT	≤ 15 mA
RESIDUAL CURRENT	≤ 0.1 mA
RATED INSULATION VOLTAGE	≤ 0.5 kV
SHORT-CIRCUIT PROTECTED	YES
MAX VOLTAGE DROP	≤ 1.8 V
WIRE BREAKAGE PROTECTION	INCORPORATED
REVERSE POLARITY PROTECTION	INCORPORATED
OUTPUT FUNCTION	4-WIRE, CHANGE OVER, PNP
MAX. SWITCHING FREQUENCY	≤ 2.8 kHz
HOUSING MATERIAL	CuZn, NICKEL-PLATED
ACTIVE FACE MATERIAL	PLASTIC, PP-GF20
END CAP MATERIAL	PLASTIC, PP-GF20
CABLE	∅3.0, TPU
SHOCK RESISTANCE	30 g, 11 ms
VIBRATION RESISTANCE	55 Hz, 1 mm AMPLITUDE (IN ALL 3 PLANES)
DEGREE OF PROTECTION	IP67
SWITCHING STATUS INDICATION	LED: YELLOW



SOURCE DRAWING - FOR REFERENCE ONLY

RELATED DOCUMENTS 1. 2. 3. 4.	3RD ANGLE PROJECTION 	THIS DRAWING IS CONFIDENTIAL AND THE PROPERTY OF TURCK INC. USE OF THIS DOCUMENT WITHOUT WRITTEN PERMISSION IS PROHIBITED.		3000 CAMPUS DRIVE MINNEAPOLIS, MN 55441 1-800-544-7769 (763) 553-7300 (763) 553-0708 fax www.turck.us	
	MATERIAL SEE SPECS	DRFT RDS APVD A.F.	DATE 09/03/19 SCALE 1=1.0	DESCRIPTION BI2-M08-VP6X-0.2-RS4.4T	
FINISH SEE SPECS	ALL DIMENSIONS DISPLAYED ON THIS DRAWING ARE FOR REFERENCE ONLY	UNIT OF MEASUREMENT INCH [MILLIMETER]		IDENTIFICATION NO. 100010578	REV A
A DRAWING RELEASE	RDS 09/19/19	DO NOT SCALE THIS DRAWING		FILE: 100010578	SHEET 1 OF 1
REV DESCRIPTION	BY DATE ECO NO.				