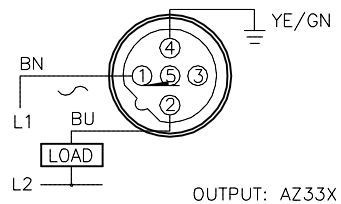


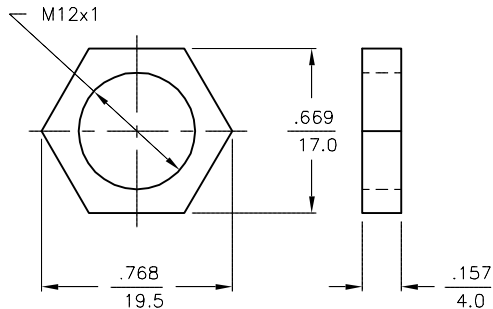
WIRING DIAGRAM



OUTPUT: AZ33X

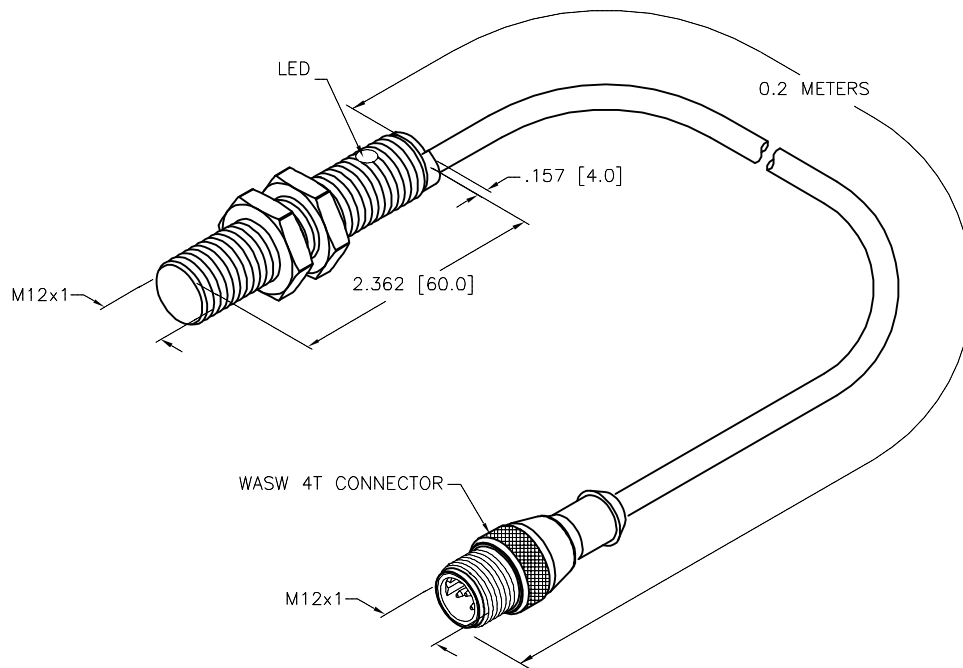
WARNING: NO SHORT-CIRCUIT PROTECTION.
ALWAYS WIRE A LOAD IN SERIES WITH THE SENSOR.

LOCKNUT LN-M12



SPECIFICATIONS

RATED OPERATING DISTANCE	2mm = .079" (NOMINAL)
MOUNTING MODE	FLUSH
TEMPERATURE DRIFT	≤ ±10%
HYSTERESIS	3-15%
MIN. REPEAT ACCURACY	≤ 2%
OPERATING TEMPERATURE	-25°C to +70°C (-13°F to +158°F)
RATED OPERATIONAL VOLTAGE	20-250 VAC/10-300 VDC
RESIDUAL RIPPLE	≤ 10%
RATED OPERATIONAL CURRENT	≤ 100 mA
RESIDUAL CURRENT	≤ 1.7 mA
RATED INSULATION VOLTAGE	≤ 0.5 kV
SHORT-CIRCUIT PROTECTION	NO
MAX. VOLTAGE DROP	≤ 6 V
MIN. OPERATIONAL CURRENT	≥ 3 mA
LINE FREQUENCY	40-60 Hz
MAX. SWITCHING FREQUENCY	≤ 0.2 kHz
OUTPUT FUNCTION	2-WIRE, NORMALLY OPEN, SELF CONTAINED
HOUSING MATERIAL	BRASS/CHROME-PLATED
ACTIVE FACE MATERIAL	PLASTIC, PA12-GF30
CABLE	PVC
VIBRATION RESISTANCE	55 Hz (IN ALL 3 PLANES)
SHOCK RESISTANCE	30 g, 11 ms
DEGREE OF PROTECTION	IP 67
SWITCHING STATUS INDICATION	LED, YELLOW



SOURCE DRAWING - FOR REFERENCE ONLY

NOTES:

1. "/S626" DESIGNATES REVERSE KEYED EUROFAST WIRED TO MATE WITH MICROSWITCH PROX.

RELATED DOCUMENTS 1. 2. 3. 4.	3RD ANGLE PROJECTION 	THIS DRAWING IS CONFIDENTIAL AND THE PROPERTY OF TURCK INC. USE OF THIS DOCUMENT WITHOUT WRITTEN PERMISSION IS PROHIBITED.		3000 CAMPUS DRIVE MINNEAPOLIS, MN 55441 1-800-544-7769 (763) 553-7300 (763) 553-0708 fax www.turck.us	
	MATERIAL SEE SPECS	ALL DIMENSIONS DISPLAYED ON THIS DRAWING ARE FOR REFERENCE ONLY CONTACT TURCK FOR MORE INFORMATION	DRFT RDS DATE 10/30/18	DESCRIPTION B12-G12-AZ33X-0.2-WASW4T/S626	
FINISH SEE SPECS	APVD A.F. SCALE 1=1.3		UNIT OF MEASUREMENT INCH [MILLIMETER]		IDENTIFICATION NO. 1304061
DO NOT SCALE THIS DRAWING		FILE: 1304061		SHEET 1 OF 1	

A	DRAWING RELEASE	RDS	10/30/18	
REV	DESCRIPTION	BY	DATE	ECO NO.