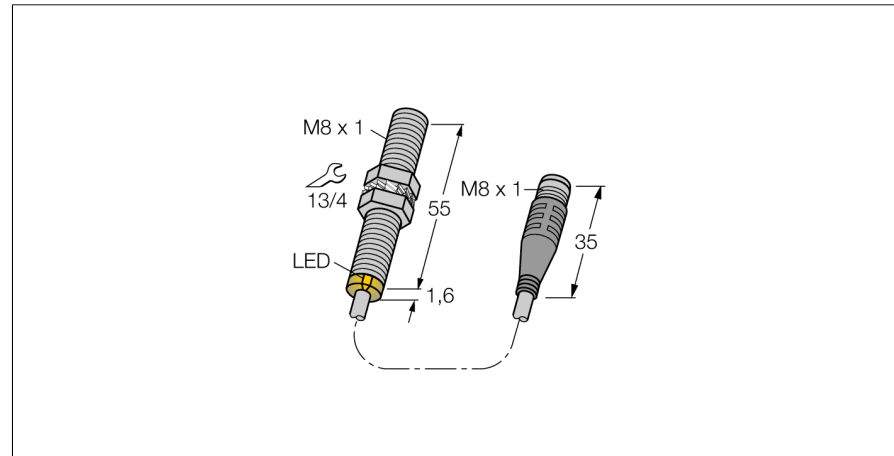


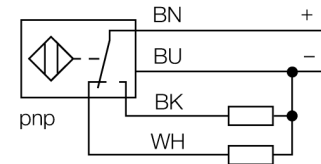
Inductive sensor

BI2-G08-VP6X-0.15-PSG4S



- Threaded barrel, M8 x 1
- Stainless steel, 1.4404
- DC 4-wire, 10...30 VDC
- Changeover contact, PNP output
- Cable with male end Ø 8 mm

Wiring Diagram



Functional principle

Inductive sensors detect metal objects contactless and wear-free. For this, they use a high-frequency electromagnetic AC field that interacts with the target. Inductive sensors generate this field via an RLC circuit with a ferrite coil.

Type designation	BI2-G08-VP6X-0.15-PSG4S
Ident-No.	4602652
Rated switching distance S_n	2 mm
Mounting conditions	Flush
Secured operating distance	$\leq (0,81 \times S_n)$ mm
Correction factors	St37 = 1; Al = 0.3; stainless steel = 0.7; Ms = 0.4
Repeat accuracy	$\leq 2\%$ of full scale
Temperature drift	$\leq \pm 10\%$
Hysteresis	3...15 %
Ambient temperature	-25...+70 °C
Operating voltage	10...30 VDC
Residual ripple	$\leq 10\% U_{ss}$
DC rated operational current	≤ 150 mA
No-load current I_0	≤ 15 mA
Residual current	≤ 0.1 mA
Isolation test voltage	≤ 0.5 kV
Short-circuit protection	yes/ Cyclic
Voltage drop at I_0	≤ 1.8 V
Wire breakage/Reverse polarity protection	yes/ Complete
Output function	4-wire, Complementary contact, PNP
Switching frequency	3 kHz
Design	Threaded barrel, M8 x 1
Dimensions	56.6 mm
Housing material	Metal, V4A (1.4404)
Active area material	Plastic, PA12-GF20
End cap	Plastic, PP
Max. tightening torque housing nut	5 Nm
Electrical connection	Cable with connector, Ø 8 mm
Cable quality	3mm, Gray, LIF2X11XFHF, TPU, 0.15 Flame retardant acc. to VDE 0472, part 804B
Cable cross section	4 x 0.14 mm ²
Vibration resistance	55 Hz (1 mm)
Shock resistance	30 g (11 ms)
Protection class	IP67
MTTF	2283 years acc. to SN 29500 (Ed. 99) 40 °C
Packaging unit	1
Switching state	LED, Yellow

Inductive sensor BI2-G08-VP6X-0.15-PSG4S

TURCK
works

Industrial
Automation

Distance D	2 x B
Distance W	3 x Sn
Distance T	3 x B
Distance S	1.5 x B
Distance G	6 x Sn

Diameter active area B \varnothing 8 mm



Inductive sensor
BI2-G08-VP6X-0.15-PSG4S



Accessories

Type code	Ident-No.	Description	
BST-08B	6947210	Fixing clamp for threaded barrel devices, with dead-stop; material: PA6	
MW-08	6945008	Mounting bracket for threaded barrel devices; material: Stainless steel A2 1.4301 (AISI 304)	
BSS-08	6901322	Mounting bracket for smooth and threaded barrel devices; material: Polypropylene	
MBS80	69479	Mounting bracket for threaded barrel devices; material mounting block: Anodized aluminium	