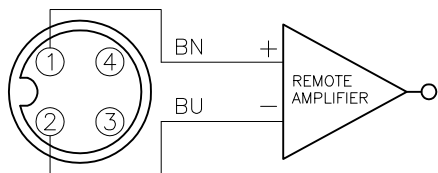
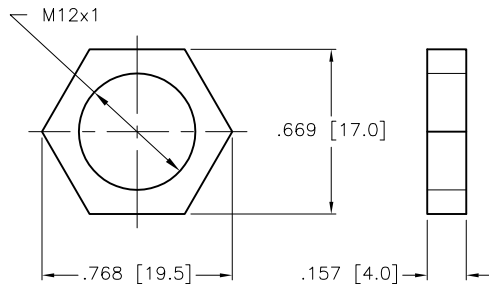


WIRING DIAGRAM



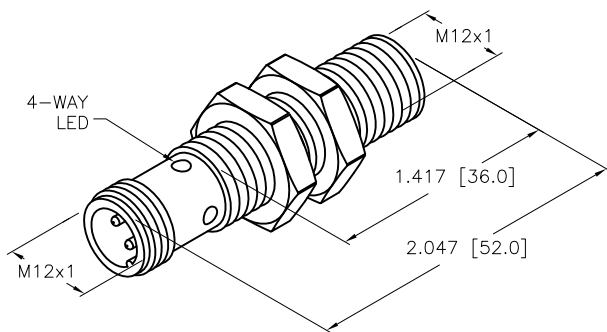
OUTPUT: YOX

LOCKNUT LN-EM12



SPECIFICATIONS

RATED OPERATING DISTANCE	2mm [.079"]
MOUNTING MODE	FLUSH
HYSTERESIS	1-10%
TEMPERATURE DRIFT	≤ ± 10%
MIN. REPEAT ACCURACY	≤ 2.0%
OPERATING TEMPERATURE	-25°C to +70°C (-13°F to +158°F)
OUTPUT FUNCTION	2-WIRE, NAMUR
OPERATING VOLTAGE	8.2 VDC
NON-ACTUATED CURRENT CONSUMPTION	≥ 2.1 mA
ACTUATED CURRENT CONSUMPTION	≤ 1.2 mA
SWITCHING FREQUENCY	≤ 5.0 kHz
HOUSING MATERIAL	METAL, V2A (1.4301)
ACTIVE FACE MATERIAL	PLASTIC, PA12-GF30
CONNECTION	M12x1
SHOCK RESISTANCE	30 g, 11 ms
VIBRATION RESISTANCE	55 Hz, 1 mm AMPLITUDE (IN ALL 3 PLANES)
DEGREE OF PROTECTION	IP67
SWITCHING STATUS INDICATION	LED; YELLOW



SOURCE DRAWING - FOR REFERENCE ONLY

RELATED DOCUMENTS		3RD ANGLE PROJECTION		THIS DRAWING IS CONFIDENTIAL AND THE PROPERTY OF TURCK INC. USE OF THIS DOCUMENT WITHOUT WRITTEN PERMISSION IS PROHIBITED.		3000 CAMPUS DRIVE MINNEAPOLIS, MN 55441 1-800-544-7769 (763) 553-7300 (763) 553-0708 fax www.turck.us		
1. 2. 3. 4.				DRFT RDS DATE 01/18/11 APVD SCALE 1=1.0		DESCRIPTION BI2-EM12-YOX-H1141		
MATERIAL		ALL DIMENSIONS DISPLAYED ON THIS DRAWING ARE FOR REFERENCE ONLY		UNIT OF MEASUREMENT		IDENTIFICATION NO.		
FINISH		CONTACT TURCK FOR MORE INFORMATION		<b>INCH [ MILLIMETER ]</b> DO NOT SCALE THIS DRAWING		REV 4010270 C		
C	UPDATE ID NUMBER PER HARMONIZATION PROJECT	CBM	03/26/18	FILE: 4010270				SHEET 1 OF 1
REV	DESCRIPTION	BY	DATE	ECO NO.				

C	UPDATE ID NUMBER PER HARMONIZATION PROJECT	CBM	03/26/18	ECO NO.			
REV	DESCRIPTION	BY	DATE	ECO NO.			