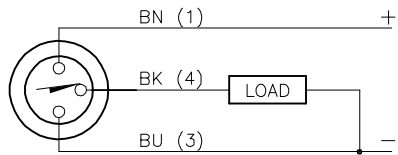
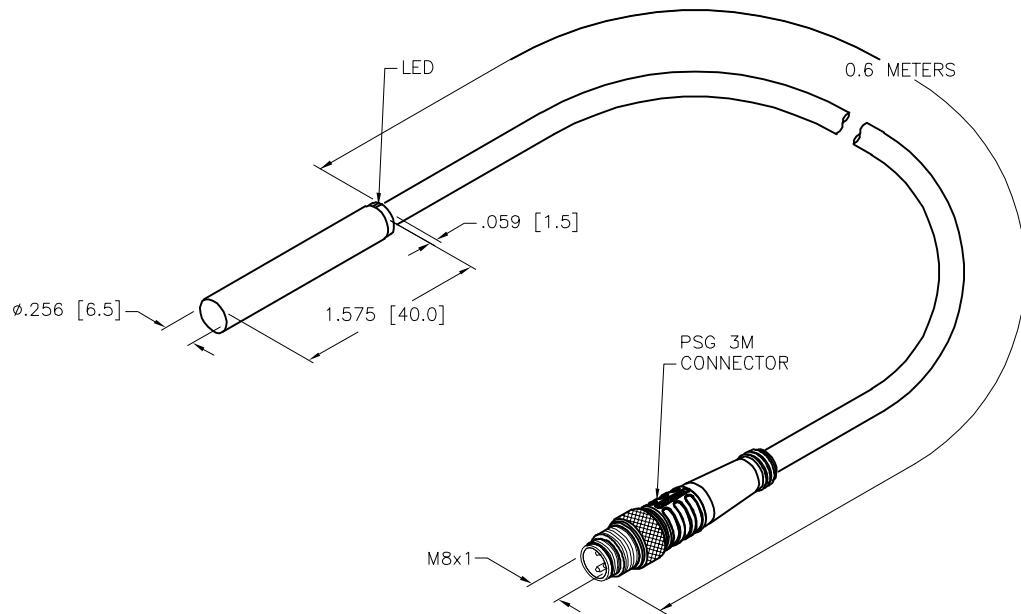


WIRING DIAGRAM



OUTPUT: AP6X

SHORT-CIRCUIT AND OVERLOAD PROTECTED



SPECIFICATIONS

RATED OPERATING DISTANCE	2mm = .079"
MOUNTING MODE	FLUSH
TEMPERATURE DRIFT	$\leq \pm 10\%$
HYSTERESIS (SWITCHING DISTANCE)	20%
MIN. REPEAT ACCURACY	$\leq 2\%$
OPERATING TEMPERATURE	-25°C to +70°C (-13°F to +158°F)
RATED OPERATIONAL VOLTAGE	10-30 VDC
MAX. RIPPLE	$\leq 10\%$
RATED OPERATIONAL CURRENT	$\leq 150 \text{ mA}$
NO LOAD CURRENT	$\leq 15 \text{ mA}$
MAX. OFF-STATE CURRENT	$\leq 0.1 \text{ mA}$
RATED INSULATION VOLTAGE	$\leq 0.5 \text{ kV}$
SHORT-CIRCUIT PROTECTION	YES
MAX. VOLTAGE DROP	$\leq 1.8 \text{ V}$
WIRE BREAKAGE PROTECTION	YES
REVERSE POLARITY PROTECTION	YES
OUTPUT FUNCTION	3-WIRE, NORMALLY OPEN, PNP
MAX. SWITCHING FREQUENCY	$\leq 3 \text{ kHz}$
HOUSING MATERIAL	STAINLESS STEEL, 1.4305 (AISI 303)
ACTIVE FACE	PLASTIC, PA6.6
END CAP	PLASTIC, PP
CABLE	$\phi 3.3$, TPU
VIBRATION RESISTANCE	55 Hz, (1mm) IN ALL 3 PLANES
SHOCK RESISTANCE	30 g, (11 ms)
DEGREE OF PROTECTION	IP67
SWITCHING STATUS INDICATION	LED: YELLOW

SOURCE DRAWING - FOR REFERENCE ONLY

RELATED DOCUMENTS 1. 2. 3. 4.	3RD ANGLE PROJECTION 	THIS DRAWING IS CONFIDENTIAL AND THE PROPERTY OF TURCK INC. USE OF THIS DOCUMENT WITHOUT WRITTEN PERMISSION IS PROHIBITED.		3000 CAMPUS DRIVE MINNEAPOLIS, MN 55441 1-800-544-7769 (763) 553-7300 (763) 553-0708 fax www.turck.us	
		MATERIAL	DRFT RDS APVD AF	DATE 01/17/07 SCALE 1=1.3	DESCRIPTION BI2-EH6.5-AP6X-0.6-PSG3M
FINISH	ALL DIMENSIONS DISPLAYED ON THIS DRAWING ARE FOR REFERENCE ONLY CONTACT TURCK FOR MORE INFORMATION	UNIT OF MEASUREMENT INCH [MILLIMETER]		IDENTIFICATION NO. 4612296	REV F
DO NOT SCALE THIS DRAWING		FILE: 4612296		SHEET 1 OF 1	

F	UPDATE SPECS	NF	01/11/21	76408
REV	DESCRIPTION	BY	DATE	ECO NO.