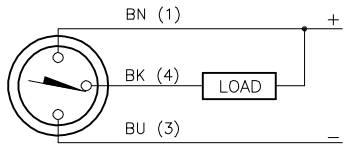
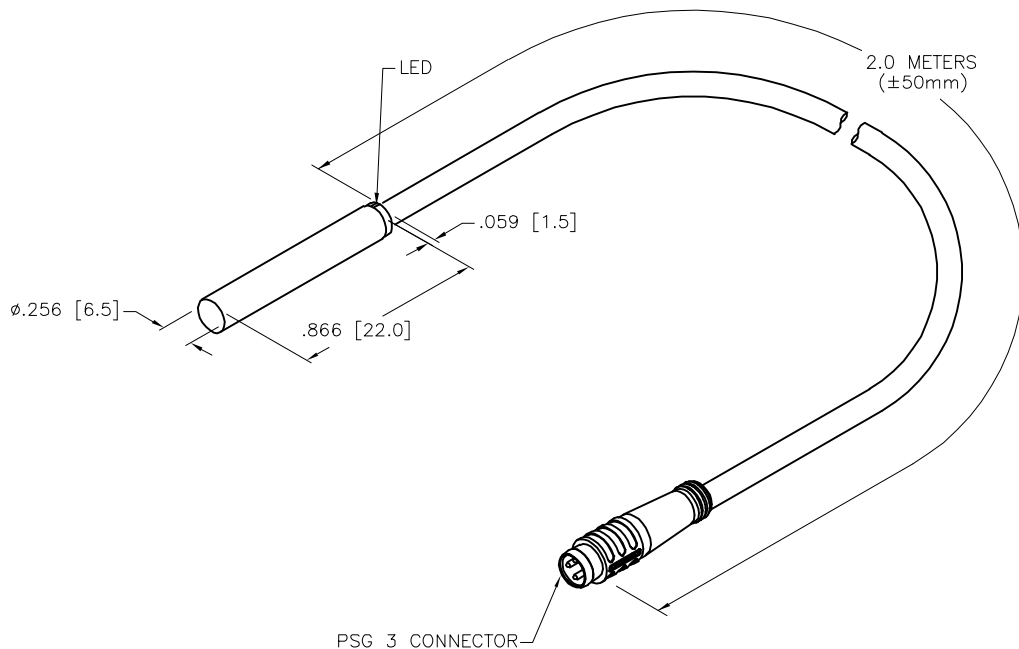


WIRING DIAGRAM



OUTPUT: AN6X

SHORT-CIRCUIT AND OVERLOAD PROTECTED



SPECIFICATIONS

RATED OPERATING DISTANCE	2mm = .079"
MOUNTING MODE	FLUSH
TEMPERATURE DRIFT	$\leq \pm 10\%$
HYSTERESIS	20%
MIN. REPEAT ACCURACY	$\leq 2\%$
OPERATING TEMPERATURE	-25°C to +70°C (-13°F to +158°F)
RATED OPERATIONAL VOLTAGE	10-30 VDC
MAX. RIPPLE	$\leq 10\%$
RATED OPERATIONAL CURRENT	$\leq 150 \text{ mA}$
NO LOAD CURRENT	$\leq 15 \text{ mA}$
MAX. OFF-STATE CURRENT	$\leq 0.1 \text{ mA}$
RATED INSULATION VOLTAGE	$\leq 0.5 \text{ kV}$
SHORT-CIRCUIT PROTECTION	YES
MAX. VOLTAGE DROP	$\leq 1.8 \text{ V}$
WIRE BREAKAGE PROTECTION	YES
REVERSE POLARITY PROTECTION	YES
OUTPUT FUNCTION	3-WIRE, NORMALLY OPEN, NPN
MAX. SWITCHING FREQUENCY	$\leq 3 \text{ kHz}$
HOUSING MATERIAL	STAINLESS STEEL, 1.4305 (AISI 303)
ACTIVE FACE	PLASTIC, PA6.6
END CAP	PLASTIC, PP
CABLE	$\phi 3.3$, TPU
VIBRATION RESISTANCE	55 Hz, (1mm) IN ALL 3 PLANES
SHOCK RESISTANCE	30 g, (11 ms)
DEGREE OF PROTECTION	IP67
SWITCHING STATUS INDICATION	LED: YELLOW

SOURCE DRAWING - FOR REFERENCE ONLY

RELATED DOCUMENTS 1. 2. 3. 4.	3RD ANGLE PROJECTION 	THIS DRAWING IS CONFIDENTIAL AND THE PROPERTY OF TURCK INC. USE OF THIS DOCUMENT WITHOUT WRITTEN PERMISSION IS PROHIBITED.		3000 CAMPUS DRIVE MINNEAPOLIS, MN 55441 1-800-544-7769 (763) 553-7300 (763) 553-0708 fax www.turck.us	
	MATERIAL	ALL DIMENSIONS DISPLAYED ON THIS DRAWING ARE FOR REFERENCE ONLY	DRFT RDS DATE 06/09/10	DESCRIPTION BIZ-EH6.5-AN6X-2-PSG3	
FINISH	CONTACT TURCK FOR MORE INFORMATION	APVD SCALE 1=1.3	IDENTIFICATION NO. 4612388		REV E
		UNIT OF MEASUREMENT INCH [MILLIMETER]		FILE: 4612388	
		DO NOT SCALE THIS DRAWING		SHEET 1 OF 1	

E	UPDATE SPECIFICATIONS	LV	08/08/22	77850
REV	DESCRIPTION	BY	DATE	ECO NO.