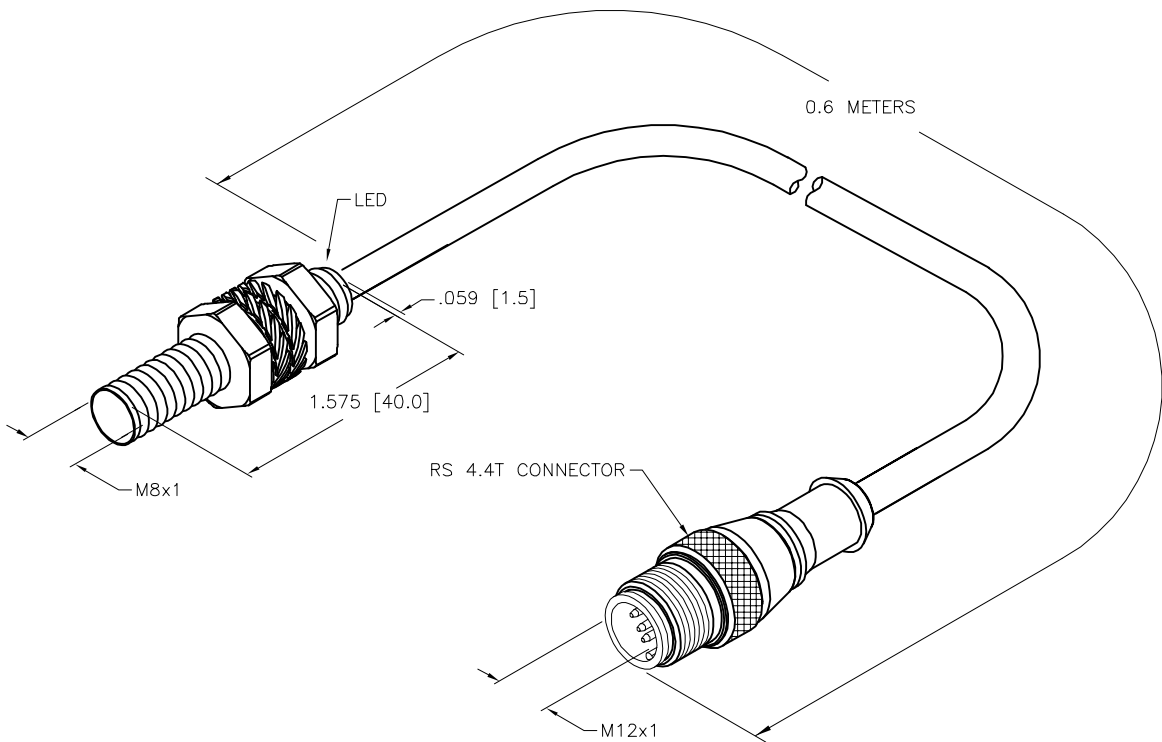


SPECIFICATIONS

| | |
|--------------------------------|-----------------------------------------|
| RATED OPERATING DISTANCE | 2.0 mm = .079" |
| MOUNTING MODE | FLUSH |
| MIN. REPEAT ACCURACY | ≤ 2% |
| TEMPERATURE DRIFT | ≤ ± 10% |
| HYSTERESIS | 20% |
| OPERATING TEMPERATURE | -25°C to +70°C (-13°F to +158°F) |
| RATED OPERATIONAL VOLTAGE | 10-30 VDC |
| RESIDUAL RIPPLE | ≤ 10% |
| RATED OPERATIONAL CURRENT (DC) | ≤ 150 mA |
| NO-LOAD CURRENT | ≤ 15 mA |
| RESIDUAL CURRENT | ≤ 0.1 mA |
| RATED INSULATION VOLTAGE | ≤ 0.5 kV |
| SHORT-CIRCUIT PROTECTED | YES |
| MAX VOLTAGE DROP | ≤ 1.8 V |
| WIRE BREAKAGE PROTECTION | INCORPORATED |
| REVERSE POLARITY PROTECTION | INCORPORATED |
| OUTPUT FUNCTION | 4-WIRE, CHANGE OVER, PNP |
| MAX. SWITCHING FREQUENCY | ≤ 2.0 kHz |
| HOUSING MATERIAL | STAINLESS STEEL 1.4305 (AISI 303) |
| ACTIVE FACE MATERIAL | PLASTIC, PA6.6 |
| END CAP MATERIAL | PLASTIC, PP |
| CABLE | ∅3.3, TPU |
| SHOCK RESISTANCE | 30 g, 11 ms |
| VIBRATION RESISTANCE | 55 Hz, 1 mm AMPLITUDE (IN ALL 3 PLANES) |
| DEGREE OF PROTECTION | IP67 |
| SWITCHING STATUS INDICATION | LED: YELLOW |



SOURCE DRAWING - FOR REFERENCE ONLY

| | | | | | |
|----------------------------------------------|------------------------------------|----------------------------------------------------------------------------------------------------------------------------|-----------------------|----------------------------------------------------------------------------------------------------------------------|-----------------------------------------|
| RELATED DOCUMENTS 1. 2. 3. 4. | 3RD ANGLE PROJECTION | THIS DRAWING IS CONFIDENTIAL AND THE PROPERTY OF TURCK INC. USE OF THIS DOCUMENT WITHOUT WRITTEN PERMISSION IS PROHIBITED. | | 3000 CAMPUS DRIVE MINNEAPOLIS, MN 55441 1-800-544-7769 (763) 553-7300 (763) 553-0708 fax www.turck.us | |
| | MATERIAL SEE SPECS | ALL DIMENSIONS DISPLAYED ON THIS DRAWING ARE FOR REFERENCE ONLY | DRFT RDS APVD A.F. | DATE 06/10/13 SCALE 1=1.0 | DESCRIPTION BI2-EG08-VP6X-0.6-RS4.4T |
| FINISH SEE SPECS | CONTACT TURCK FOR MORE INFORMATION | UNIT OF MEASUREMENT INCH [MILLIMETER] | | IDENTIFICATION NO. 1604681 | REV C |
| C UPDATE SPECIFICATIONS TR 01/08/21 76406 | BY DATE ECO NO. | DO NOT SCALE THIS DRAWING | | FILE: 1604681 | SHEET 1 OF 1 |