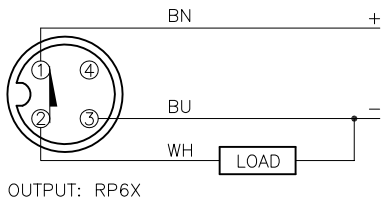
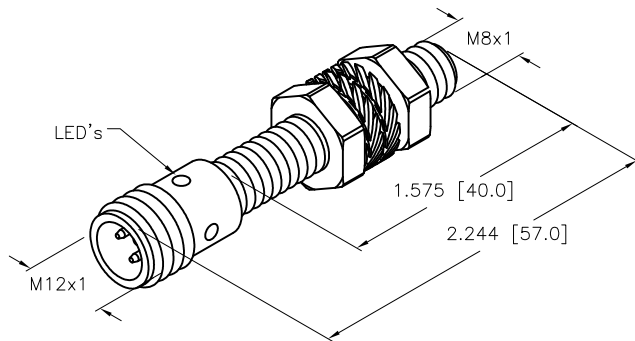
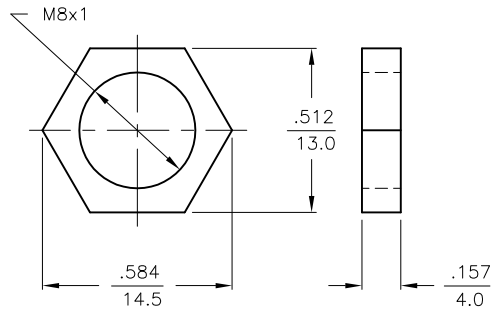


WIRING DIAGRAM



SHORT-CIRCUIT AND OVERLOAD PROTECTED

LOCKNUT LN-SS08



SPECIFICATIONS

| | |
|-----------------------------|----------------------------------|
| RATED OPERATING DISTANCE | 2.0 mm [.079] |
| MOUNTING MODE | FLUSH |
| TEMPERATURE DRIFT | ≤±10% |
| HYSTERESIS | 3-15% |
| MIN. REPEAT ACCURACY | ≤2% |
| OPERATING TEMPERATURE | -25°C to +70°C (-13°F to +158°F) |
| RATED OPERATIONAL VOLTAGE | 10-30 VDC |
| RESIDUAL RIPPLE | ≤10% |
| RATED OPERATIONAL CURRENT | ≤150 mA |
| NO-LOAD CURRENT | ≤15 mA |
| RESIDUAL CURRENT | ≤0.1 mA |
| RATED INSULATION VOLTAGE | ≤0.5 kV |
| SHORT-CIRCUIT PROTECTION | YES |
| MAX. VOLTAGE DROP | ≤1.8 V |
| WIRE BREAKAGE PROTECTION | INCORPORATED |
| REVERSE POLARITY PROTECTION | INCORPORATED |
| OUTPUT FUNCTION | 3-WIRE, NORMALLY CLOSED, PNP |
| MAX. SWITCHING FREQUENCY | ≤3.0 kHz |
| HOUSING MATERIAL | STAINLESS STEEL 1.4301 |
| ACTIVE FACE | PLASTIC, PA12-GF20 |
| CONNECTION | M12x1 |
| VIBRATION RESISTANCE | 55 Hz (IN ALL 3 PLANES) |
| SHOCK RESISTANCE | 30 g, 11 ms |
| DEGREE OF PROTECTION | IP 67 |
| SWITCHING STATUS INDICATION | LED, YELLOW |

NOTES:

1. "/S1589" DESIGNATES WELDGUARD FRONT FACE.

SOURCE DRAWING - FOR REFERENCE ONLY

| | | | | | |
|--|---|--|------------------------------|--|--------------|
| RELATED DOCUMENTS 1. 2. 3. 4. | 3RD ANGLE PROJECTION | THIS DRAWING IS CONFIDENTIAL AND THE PROPERTY OF TURCK INC. USE OF THIS DOCUMENT WITHOUT WRITTEN PERMISSION IS PROHIBITED. | | 3000 CAMPUS DRIVE MINNEAPOLIS, MN 55441 1-800-544-7769 (763) 553-7300 (763) 553-0708 fax www.turck.us | |
| | MATERIAL STAINLESS STEEL | DRFT NF APVD A.F. | DATE 08/16/17 SCALE 1=1.0 | DESCRIPTION BI2-EG08-RP6X-H1341/S1589 | |
| FINISH | ALL DIMENSIONS DISPLAYED ON THIS DRAWING ARE FOR REFERENCE ONLY | UNIT OF MEASUREMENT INCH [MILLIMETER] | | IDENTIFICATION NO. 46025500 | REV B |
| B UPDATE ID NUMBER PER HARMONIZATION PROJECT | CBM 11/06/17 | DO NOT SCALE THIS DRAWING | | FILE: 46025500 | SHEET 1 OF 1 |
| REV DESCRIPTION | BY DATE ECO NO. | | | | |