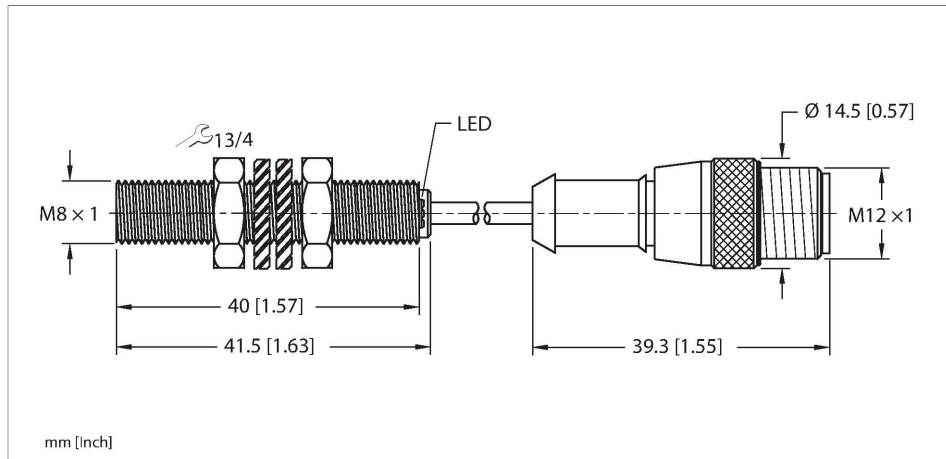


BI2-EG08-AN6X-0.3-RS4T/S1589

Inductive Sensor – With Weldguard® coating



Features

- Threaded barrel, M8 × 1
- Stainless steel, 1.4305 (AISI 303)
- DC 3-wire, 10...30 VDC
- NO contact, NPN output
- Pigtail with M12 × 1 connector

Wiring diagram



Technical data

| | |
|---|---|
| Type | BI2-EG08-AN6X-0.3-RS4T/S1589 |
| ID | 46021804 |
| Special version | S1589 Corresponds to: With weldguard coating |
| General data | |
| Rated switching distance | 2 mm |
| Mounting conditions | Flush |
| Secured operating distance | ≤ (0.81 × S _n) mm |
| Correction factors | St37 = 1; Al = 0.3; stainless steel = 0.7; Ms = 0.4 |
| Repeat accuracy | ≤ 2 % of full scale |
| Hysteresis | 20 % |
| Electrical data | |
| Operating voltage U _B | 10...30 VDC |
| Ripple U _{ss} | ≤ 10 % U _{Bmax} |
| DC rated operating current I _B | ≤ 150 mA |
| No-load current | ≤ 15 mA |
| Residual current | ≤ 0.1 mA |
| Isolation test voltage | 0.5 kV |
| Short-circuit protection | yes/Cyclic |
| Voltage drop at I _B | ≤ 1.8 V |
| Wire break/reverse polarity protection | yes/Complete |
| Output function | 3-wire, NO contact, NPN |
| Switching frequency | 3 kHz |

Functional principle

Inductive sensors detect metal objects contactless and wear-free. For this purpose they use a high-frequency electromagnetic AC field that interacts with the target. The sensors hosting a ferrite core coil generate the AC field through an LC resonant circuit.

Technical data

| Mechanical data | |
|---------------------------------------|--|
| Design | Threaded barrel, M8 x 1 |
| Dimensions | 41.5 mm |
| Housing material | Stainless steel, 1.4305 (AISI 303) |
| Active area material | Plastic, PA6.6 |
| End cap | Plastic, PP |
| Material coupling nut | metal, CuZn, nickel-plated |
| Max. tightening torque of housing nut | 5 Nm |
| Electrical connection | Cable with connector, M12 × 1 |
| Cable quality | Ø 3.3 mm, Gray, LifY-11Y, PUR, 0.3 m |
| Core cross-section | 3 x 0.14 mm ² |
| Environmental conditions | |
| Ambient temperature | -25...+70 °C |
| Vibration resistance | 55 Hz (1 mm) |
| Shock resistance | 30 g (11 ms) |
| Protection class | IP67 |
| MTTF | 2283 years acc. to SN 29500 (Ed. 99) 40 °C |
| Switching state | LED, Yellow |

Mounting instructions

Mounting instructions/Description



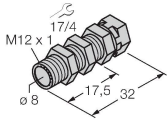
| | |
|------------------------|---------|
| Distance D | 2 x B |
| Distance W | 3 x Sn |
| Distance T | 3 x B |
| Distance S | 1.5 x B |
| Distance G | 6 x Sn |
| Diameter active area B | Ø 8 mm |

Accessories

QM-08

6945100

Quick-mount bracket with dead-stop, chrome-plated brass, male thread M12 x 1. Note: The switching distance of proximity switches may be reduced through the use of quick-mount brackets.



BST-08B

6947210

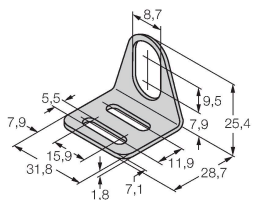
Mounting clamp for threaded barrel sensors, with dead-stop; material: PA6



MW08

6945008

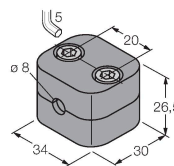
Mounting bracket for threaded barrel sensors; material: Stainless steel A2 1.4301 (AISI 304)

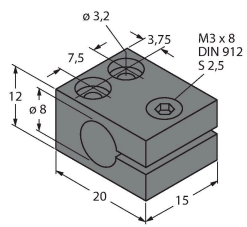


BSS-08

6901322

Mounting clamp for smooth and threaded barrel sensors; material: Polypropylene



MBS80**69479**

Mounting clamp for smooth barrel sensors; mounting block material: Anodized aluminum