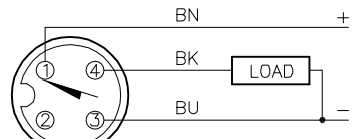


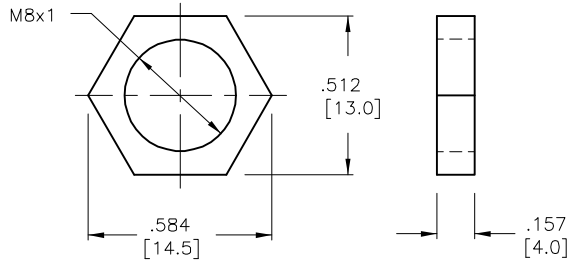
WIRING DIAGRAM



OUTPUT: AP6X

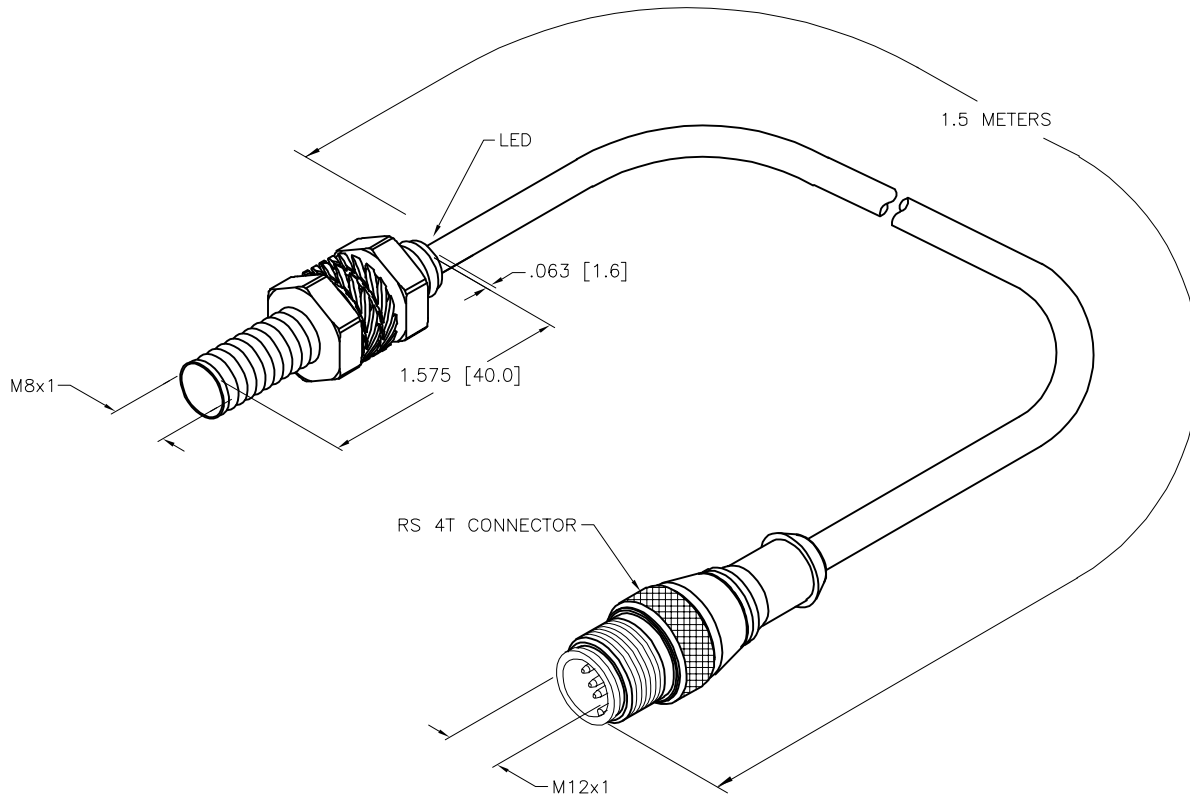
SHORT-CIRCUIT AND OVERLOAD PROTECTED

LOCKNUT LN-SS8



SPECIFICATIONS

RATED OPERATING DISTANCE	1.5mm = .059"
MOUNTING MODE	FLUSH
MIN. REPEAT ACCURACY	≤ 2%
TEMPERATURE DRIFT	≤ ± 10%
HYSTERESIS	3-15%
OPERATING TEMPERATURE	-30°C to +85°C (-22°F to +185°F)
RATED OPERATIONAL VOLTAGE	10-30 VDC
RESIDUAL RIPPLE	≤ 10%
RATED OPERATIONAL CURRENT (DC)	≤ 150 mA
NO-LOAD CURRENT	≤ 15 mA
RESIDUAL CURRENT	≤ 0.1 mA
RATED INSULATION VOLTAGE	≤ 0.5 kV
SHORT-CIRCUIT PROTECTED	YES
MAX VOLTAGE DROP	≤ 1.8 V
WIRE BREAKAGE PROTECTION	INCORPORATED
REVERSE POLARITY PROTECTION	INCORPORATED
OUTPUT FUNCTION	3-WIRE, NORMALLY OPEN
SWITCHING FREQUENCY	2.0 kHz
HOUSING MATERIAL	STAINLESS STEEL, 1.4427 SO
ACTIVE FACE MATERIAL	PLASTIC, PA12-GF30
END CAP MATERIAL	PLASTIC, PA12-GF30
CABLE	∅4.0, Lify-11Y, TPU
SHOCK RESISTANCE	30 g, 11 ms
VIBRATION RESISTANCE	55 Hz, 1 mm AMPLITUDE (IN ALL 3 PLANES)
DEGREE OF PROTECTION	IP68
SWITCHING STATUS INDICATION	LED: YELLOW



SOURCE DRAWING - FOR REFERENCE ONLY

RELATED DOCUMENTS 1. 2. 3. 4.	3RD ANGLE PROJECTION 	THIS DRAWING IS CONFIDENTIAL AND THE PROPERTY OF TURCK INC. USE OF THIS DOCUMENT WITHOUT WRITTEN PERMISSION IS PROHIBITED.		3000 CAMPUS DRIVE MINNEAPOLIS, MN 55441 1-800-544-7769 (763) 553-7300 (763) 553-0708 fax www.turck.us	
	MATERIAL SEE SPECIFICATIONS	ALL DIMENSIONS DISPLAYED ON THIS DRAWING ARE FOR REFERENCE ONLY	DRFT RDS DATE 03/18/15	DESCRIPTION B11.5U-EG08-AP6X-1.5-RS4T	
			APVD A.F. SCALE 1=1.0		
	FINISH SEE SPECIFICATIONS	CONTACT TURCK FOR MORE INFORMATION	UNIT OF MEASUREMENT <b>INCH [ MILLIMETER ]</b>		IDENTIFICATION NO. 46005004
DO NOT SCALE THIS DRAWING		FILE: 46005004		SHEET 1 OF 1	

C	UPDATE SPECS	NF	08/26/25	81372
REV	DESCRIPTION	BY	DATE	ECO NO.