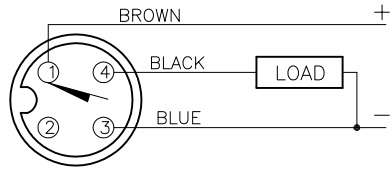
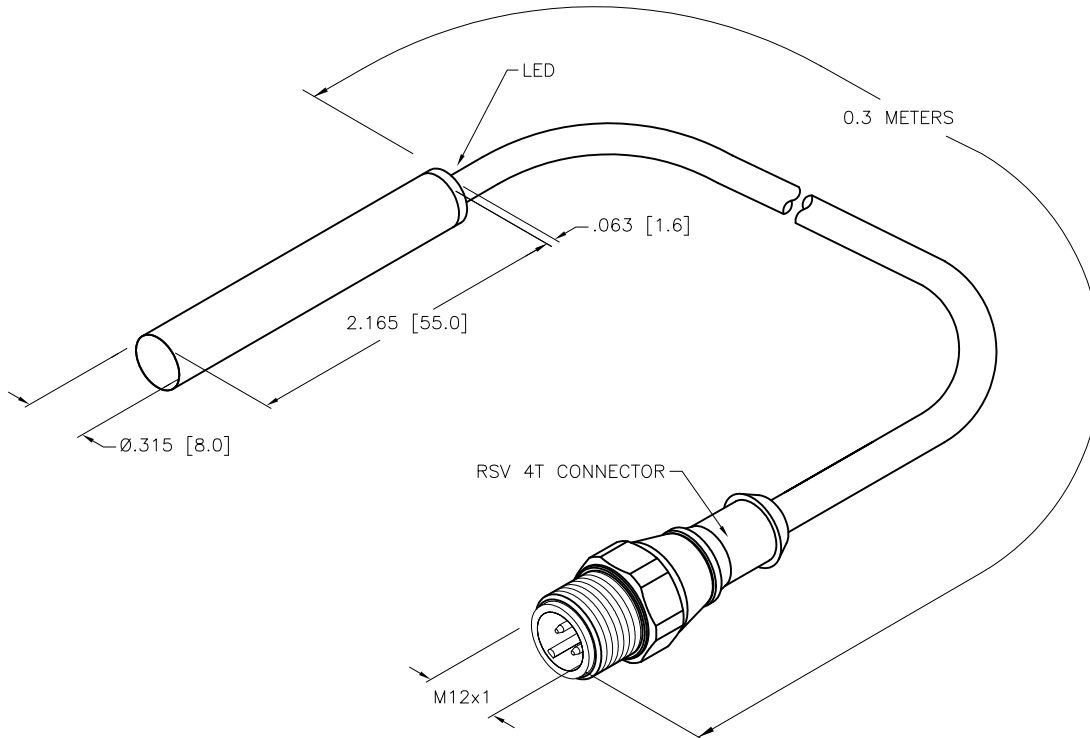


WIRING DIAGRAM



OUTPUT: AP6X
SHORT-CIRCUIT AND OVERLOAD PROTECTED



SPECIFICATIONS

RATED OPERATING DISTANCE	1.5 mm [0.059"]
HYSTERESIS	1-15%
MIN. REPEAT ACCURACY	≤ 5%
MAX. TEMPERATURE DRIFT	≤ ±10% C°
OPERATING TEMPERATURE	-25°C to +70°C (-13°F to +158°F)
RATED OPERATIONAL VOLTAGE	10-30 VDC
RESIDUAL RIPPLE	≤ 10%
RATED OPERATIONAL CURRENT (DC)	≤ 100 mA
NO LOAD CURRENT	5.5-9.5 mA
RESIDUAL CURRENT	≤ 10 µA
CONTINUOUS LOAD CURRENT	≤ 150 mA
TRIGGER CURRENT FOR OVERLOAD PROTECTION	≥ 170 mA
TIME DELAY BEFORE AVAILABILITY	≤ 8 ms
MAX. SWITCHING FREQUENCY	≤ 5000 Hz
OUTPUT FUNCTION	3-WIRE, NORMALLY OPEN, PNP
SHORT-CIRCUIT PROTECTED	YES
MAX. VOLTAGE DROP	≤ 1.8 V @ 150 mA
WIRE-BREAK PROTECTION	INCORPORATED
REVERSE POLARITY PROTECTION	INCORPORATED
CABLE	TPU
VIBRATION RESISTANCE	55 Hz, 1 mm AMPLITUDE (IN ALL 3 PLANES)
SHOCK RESISTANCE	30 g, 11 ms
DEGREE OF PROTECTION	IP 67
SWITCHING STATUS INDICATION	LED, YELLOW

SOURCE DRAWING - FOR REFERENCE ONLY

RELATED DOCUMENTS 1. 2. 3. 4.	3RD ANGLE PROJECTION 	THIS DRAWING IS CONFIDENTIAL AND THE PROPERTY OF TURCK INC. USE OF THIS DOCUMENT WITHOUT WRITTEN PERMISSION IS PROHIBITED.		3000 CAMPUS DRIVE MINNEAPOLIS, MN 55441 1-800-544-7769 (763) 553-7300 (763) 553-0708 fax www.turck.us	
	MATERIAL BRASS BARREL	ALL DIMENSIONS DISPLAYED ON THIS DRAWING ARE FOR REFERENCE ONLY	DRFT RDS DATE 01/03/12	DESCRIPTION BI1.5-H08-AP6X-0.3-RSV4T	
FINISH COPPER/NICKEL/ CHROME PLATING	CONTACT TURCK FOR MORE INFORMATION		APVD A.F. SCALE 1=1.0	UNIT OF MEASUREMENT INCH [MILLIMETER]	
B UPDATE ID NUMBER PER HARMONIZATION PROJECT REV DESCRIPTION	CBM 12/20/17 BY DATE ECO NO.	DO NOT SCALE THIS DRAWING		FILE: 16043000	REV B SHEET 1 OF 1