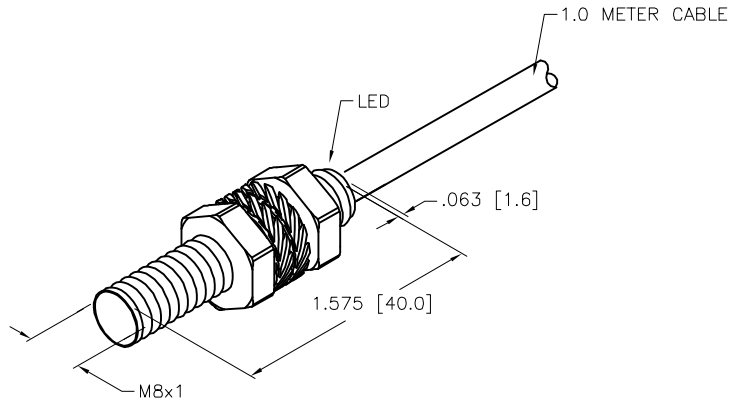


SPECIFICATIONS	
RATED OPERATING DISTANCE	1.5 mm = .059"
MOUNTING MODE	FLUSH
MIN. REPEAT ACCURACY	≤ 2%
TEMPERATURE DRIFT	≤ ± 10%
HYSTERESIS	1-15%
OPERATING TEMPERATURE	-40°C to +70°C (-40°F to +158°F)
RATED OPERATIONAL VOLTAGE	10-30 VDC
RIPPLE	≤ 10%
RATED OPERATIONAL CURRENT (DC)	≤ 100 mA
RESIDUAL CURRENT	≤ 0.6 mA
RATED INSULATION VOLTAGE	≤ 0.5 kV
SHORT-CIRCUIT PROTECTED	YES
MAX VOLTAGE DROP	≤ 5.0 V
WIRE BREAKAGE PROTECTION	INCORPORATED
REVERSE POLARITY PROTECTION	INCORPORATED
OUTPUT FUNCTION	3-WIRE, NORMALLY OPEN, NPN
MAX. SWITCHING FREQUENCY	≤ 3.0 kHz
HOUSING MATERIAL	SST
ACTIVE FACE MATERIAL	PLASTIC, PA12-GF30
END CAP MATERIAL	PLASTIC, PA
CABLE	∅4.0, TPU
SHOCK RESISTANCE	30 g, 11 ms
VIBRATION RESISTANCE	55 Hz, 1 mm AMPLITUDE (IN ALL 3 PLANES)
DEGREE OF PROTECTION	IP67
SWITCHING STATUS INDICATION	LED: YELLOW



NOTES:

1. "/S15" SPEC FOR 8mm BARREL SENSORS:
SPECIAL TEMP RANGE -40c to +70.
SPECIAL CURRENT CONSUMPTION @12VDC SUPPLY (+/-5%) AND 340 ohm RESISTANCE:
SENSOR OUTPUT ON...4.8-6.6mA
SENSOR OUTPUT OFF...2.0-2.5mA

* CERTIFICATE OF CONFORMANCE AND SERIALIZED WRAP LABEL INCLUDED ON EACH SENSOR SHIPPED

SOURCE DRAWING - FOR REFERENCE ONLY

RELATED DOCUMENTS 1. 2. 3. 4.	3RD ANGLE PROJECTION	THIS DRAWING IS CONFIDENTIAL AND THE PROPERTY OF TURCK INC. USE OF THIS DOCUMENT WITHOUT WRITTEN PERMISSION IS PROHIBITED.		3000 CAMPUS DRIVE MINNEAPOLIS, MN 55441 1-800-544-7769 (763) 553-7300 (763) 553-0708 fax www.turck.us	
	MATERIAL SEE SPECS	DRFT	RDS	DATE	04/12/06
		APVD		SCALE	1=1.0
	FINISH	ALL DIMENSIONS DISPLAYED ON THIS DRAWING ARE FOR REFERENCE ONLY	UNIT OF MEASUREMENT INCH [MILLIMETER]		DESCRIPTION BI1.5-EG08-AN6X/S15
	CONTACT TURCK FOR MORE INFORMATION	DO NOT SCALE THIS DRAWING		IDENTIFICATION NO. 4602343	REV
I	CORRECT OUTPUT FUNCTION/SPECS TO 3-WIRE	KB	11/06/23	79490	
REV	DESCRIPTION	BY	DATE	ECO NO.	FILE: 4602343