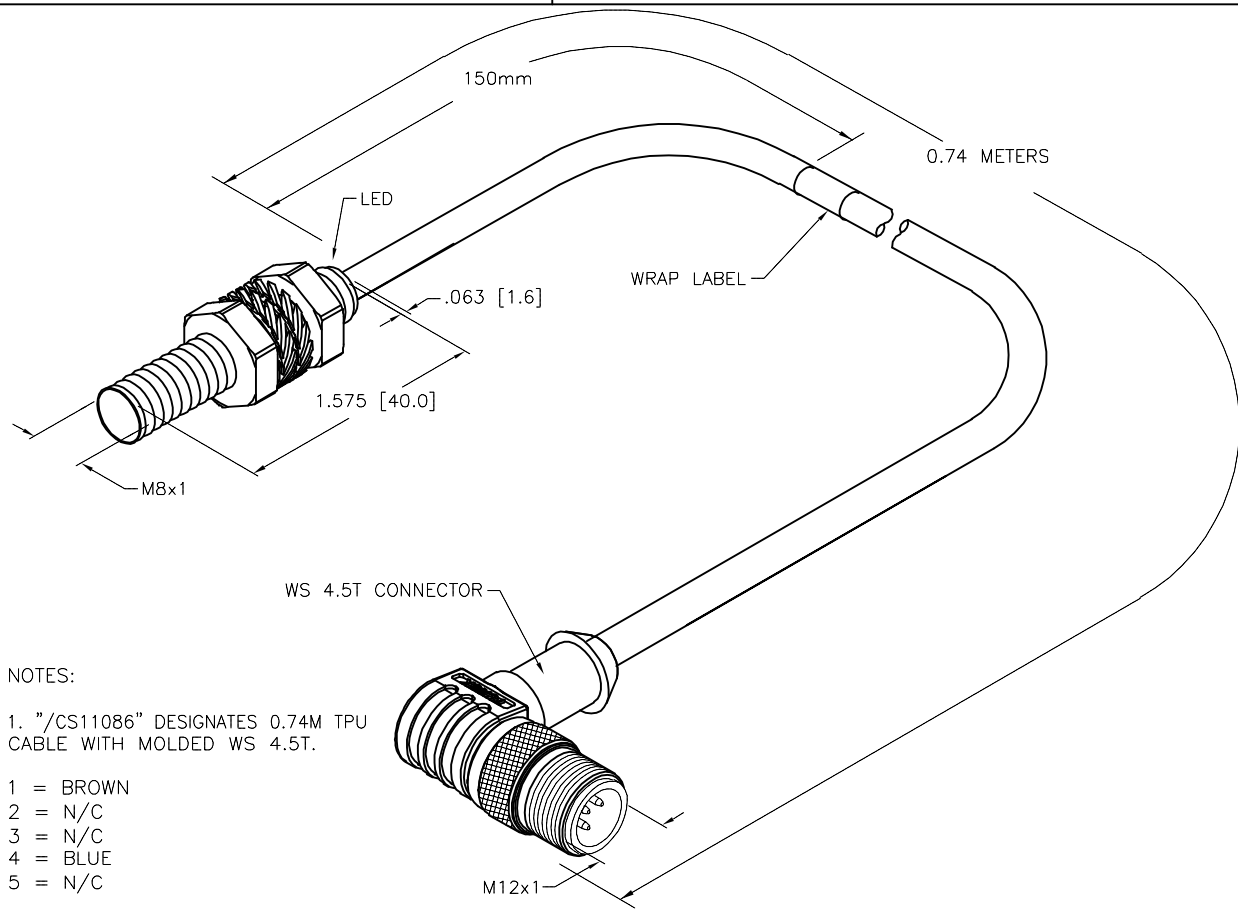


SPECIFICATIONS

RATED OPERATING DISTANCE	1.5 mm = .059" (NOMINAL)
MOUNTING MODE	FLUSH
MIN. REPEAT ACCURACY	≤ 2%
TEMPERATURE DRIFT	≤ ± 10%
HYSTERESIS	1-15%
OPERATING TEMPERATURE	-40°C to +70°C (-40°F to +158°F)
RATED OPERATIONAL VOLTAGE	10-30 VDC
RIPPLE	≤ 10%
RATED OPERATIONAL CURRENT (DC)	≤ 100 mA
RESIDUAL CURRENT	≤ 0.6 mA
RATED INSULATION VOLTAGE	≤ 0.5 kV
SHORT-CIRCUIT PROTECTED	YES
MAX VOLTAGE DROP	≤ 5.0 V
WIRE BREAKAGE PROTECTION	INCORPORATED
REVERSE POLARITY PROTECTION	INCORPORATED
OUTPUT FUNCTION	2-WIRE, NORMALLY OPEN, NPN
MAX. SWITCHING FREQUENCY	≤ 3.0 kHz
HOUSING MATERIAL	METAL, A4 1.4404 (AISI 316L)
ACTIVE FACE MATERIAL	PLASTIC, PA12-GF20
END CAP MATERIAL	PLASTIC, PA
CABLE	∅4.0, LiYY-11Y, TPU
SHOCK RESISTANCE	30 g, 11 ms
VIBRATION RESISTANCE	55 Hz, 1 mm AMPLITUDE (IN ALL 3 PLANES)
DEGREE OF PROTECTION	IP67
SWITCHING STATUS INDICATION	LED: YELLOW



- NOTES:
1. "/CS11086" DESIGNATES 0.74M TPU CABLE WITH MOLDED WS 4.5T.
 - 1 = BROWN
 - 2 = N/C
 - 3 = N/C
 - 4 = BLUE
 - 5 = N/C

WRAP LABEL TO BE ADDED 6" FROM END OF SENSOR. (CONTAINING SERIAL NUMBER)

SENSOR ALSO INCLUDES "/S15" SPEC FOR 8MM BARREL SENSORS:
SPECIAL TEMP RANGE -40c to +70.
SPECIAL CURRENT CONSUMPTION @12VDC SUPPLY (+/-5%) AND 340 OHM RESISTANCE:
SENSOR OUTPUT ON...4.8-6.6mA
SENSOR OUTPUT OFF...2.0-2.5mA

ONE CERTIFICATE OF COMPLIANCE WITH SERIAL NUMBER RANGE INCLUDED PER COMPLETE ORDER

G	UPDATED DESCRIPTION	ER	03/26/19	69015
REV	DESCRIPTION	BY	DATE	ECO NO.

SOURCE DRAWING - FOR REFERENCE ONLY

RELATED DOCUMENTS 1. 2. 3. 4.	3RD ANGLE PROJECTION 	THIS DRAWING IS CONFIDENTIAL AND THE PROPERTY OF TURCK INC. USE OF THIS DOCUMENT WITHOUT WRITTEN PERMISSION IS PROHIBITED.		3000 CAMPUS DRIVE MINNEAPOLIS, MN 55441 1-800-544-7769 (763) 553-7300 (763) 553-0708 fax www.turck.us	
		MATERIAL SEE SPECIFICATION	DRFT RDS APVD BT	DATE 07/19/05 SCALE 1=1.0	DESCRIPTION BI1.5-EG08-AN6X/CS11086
FINISH SEE SPECIFICATIONS	ALL DIMENSIONS DISPLAYED ON THIS DRAWING ARE FOR REFERENCE ONLY CONTACT TURCK FOR MORE INFORMATION	UNIT OF MEASUREMENT INCH [MILLIMETER]		IDENTIFICATION NO. 4602380	
DO NOT SCALE THIS DRAWING		REV G		FILE: 4602380 SHEET 1 OF 1	