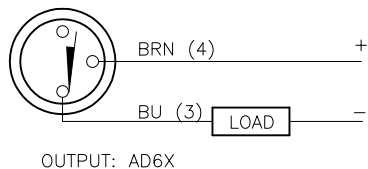
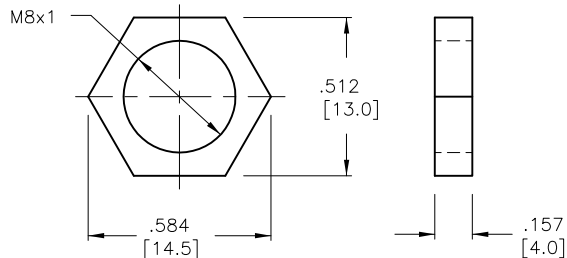


WIRING DIAGRAM



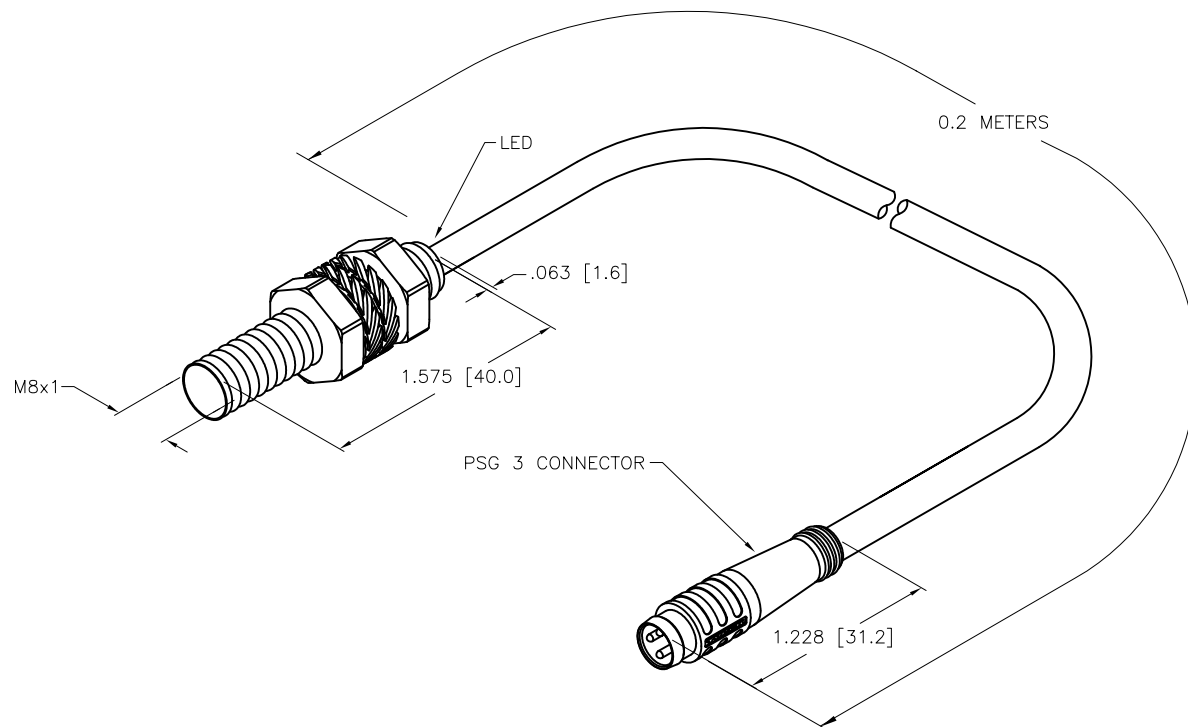
SHORT-CIRCUIT AND OVERLOAD PROTECTED

LOCKNUT LN-SS08


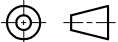


SPECIFICATIONS

RATED OPERATING DISTANCE	1.5 mm = .059" (NOMINAL)
MOUNTING MODE	FLUSH
MIN. REPEAT ACCURACY	≤ 2%
TEMPERATURE DRIFT	≤ ± 10%
HYSTERESIS	3-15%
OPERATING TEMPERATURE	-25°C to +70°C (-13°F to +158°F)
RATED OPERATIONAL VOLTAGE	10-30 VDC
RIPPLE	≤ 10%
RATED OPERATIONAL CURRENT	≤ 100 mA
SMALLEST OPERATING CURRENT	= 3 mA
RESIDUAL CURRENT	≤ 0.6 mA
RATED INSULATION VOLTAGE	≤ 0.5 kV
SHORT-CIRCUIT PROTECTED	YES
MAX VOLTAGE DROP	≤ 5 V
WIRE BREAKAGE PROTECTION	INCORPORATED
REVERSE POLARITY PROTECTION	INCORPORATED
OUTPUT FUNCTION	NORMALLY OPEN 2-WIRE DC SELF-CONTAINED
MAX. SWITCHING FREQUENCY	≤ 3.0 kHz
HOUSING MATERIAL	METAL, A4 1.4404 (AISI 316L)
ACTIVE FACE MATERIAL	PLASTIC, PA
END CAP MATERIAL	PLASTIC, PA12-GF30
CABLE	∅4.0, PVC
SHOCK RESISTANCE	30 g, 11 ms
VIBRATION RESISTANCE	55 Hz, 1 mm AMPLITUDE (IN ALL 3 PLANES)
DEGREE OF PROTECTION	IP67
SWITCHING STATUS INDICATION	LED: YELLOW



SOURCE DRAWING - FOR REFERENCE ONLY

RELATED DOCUMENTS		3RD ANGLE PROJECTION		THIS DRAWING IS CONFIDENTIAL AND THE PROPERTY OF TURCK INC. USE OF THIS DOCUMENT WITHOUT WRITTEN PERMISSION IS PROHIBITED.		 3000 CAMPUS DRIVE MINNEAPOLIS, MN 55441 1-800-544-7769 (763) 553-7300 (763) 553-0708 fax www.turck.us			
1.	2.	3.	4.		DRFT	RDS	DATE 06/04/13	DESCRIPTION B11.5-EG08-AD6X-0.2-PSG3	
MATERIAL SEE SPECIFICATIONS					APVD	A.F.	SCALE 1=1.0		
FINISH SEE SPECIFICATIONS				ALL DIMENSIONS DISPLAYED ON THIS DRAWING ARE FOR REFERENCE ONLY  CONTACT TURCK FOR MORE INFORMATION	UNIT OF MEASUREMENT <b>INCH [ MILLIMETER ]</b>			IDENTIFICATION NO. 46002040	REV C
C	UPDATE ID NUMBER PER HARMONIZATION PROJECT	CBM	12/20/17		DO NOT SCALE THIS DRAWING			FILE: 46002040	SHEET 1 OF 1
REV	DESCRIPTION	BY	DATE	ECO NO.					