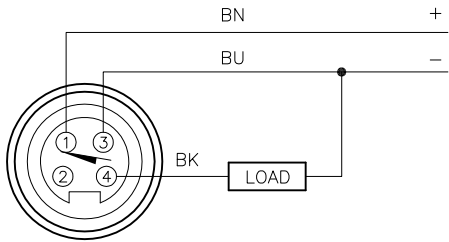


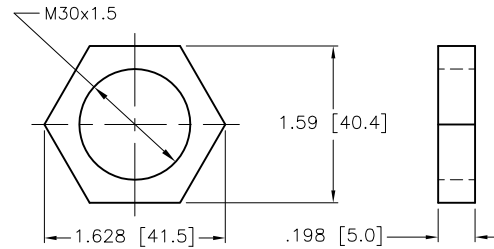
WIRING DIAGRAM



OUTPUT: AP6X

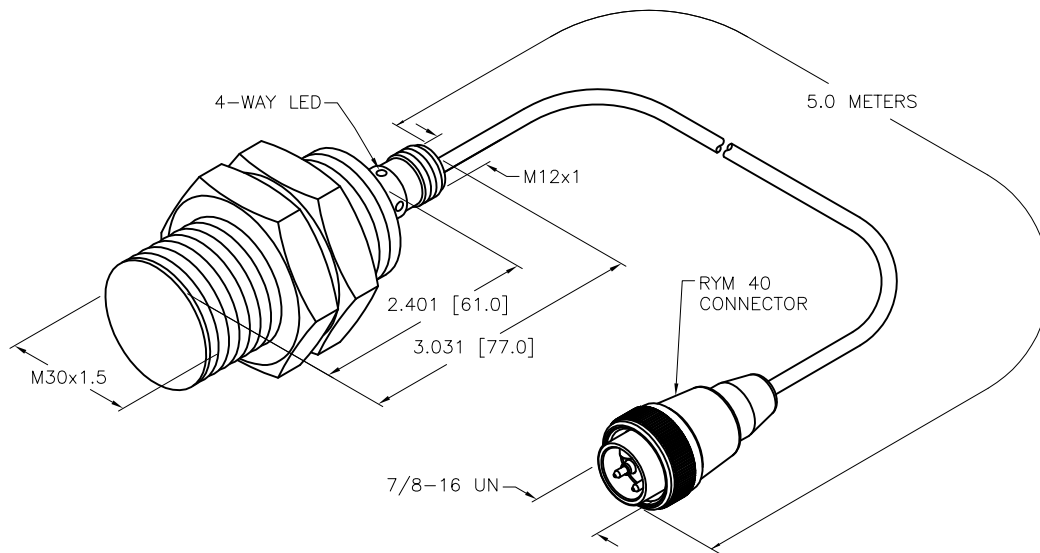
SHORT-CIRCUIT AND OVERLOAD PROTECTED

LOCKNUT SS-M30



SPECIFICATIONS

|                              |  |
|------------------------------|--|
| RATED OPERATING DISTANCE     | 15mm [.591"]                               |
| MOUNTING MODE                | FLUSH                                      |
| HYSTERESIS                   | 3-15%                                      |
| MIN. REPEAT ACCURACY         | ≤ 2%                                       |
| TEMPERATURE DRIFT            | ± 10%<br>± 15%, ≤ -25°C v ≥ +70°C          |
| OPERATING TEMPERATURE        | -30°C to +85°C (-22°F to +185°F)           |
| RATED OPERATIONAL VOLTAGE    | 10-30 VDC                                  |
| RESIDUAL RIPPLE              | ≤ 10%                                      |
| DC RATED OPERATIONAL CURRENT | ≤ 200 mA                                   |
| NO-LOAD CURRENT              | ≤ 15 mA                                    |
| RESIDUAL CURRENT             | ≤ 0.1 mA                                   |
| RATED INSULATION VOLTAGE     | ≤ 0.5 kV                                   |
| SHORT-CIRCUIT PROTECTED      | YES  |
| MAX. VOLTAGE DROP            | ≤ 1.8 V                                    |
| REVERSE POLARITY PROTECTION  | INCORPORATED                               |
| WIRE-BREAK PROTECTION        | INCORPORATED                               |
| OUTPUT FUNCTION              | 3-WIRE, NORMALLY OPEN, PNP                 |
| MAX. SWITCHING FREQUENCY     | ≤ 0.75 kHz                                 |
| HOUSING MATERIAL             | METAL, AISI 304                            |
| ACTIVE FACE MATERIAL         | PLASTIC, LCP-GF30                          |
| END CAP MATERIAL             | PLASTIC, EPTR                              |
| CABLE                        | TPU  |
| SHOCK RESISTANCE             | 30 g, 11 ms                                |
| VIBRATION RESISTANCE         | 55 Hz, 1 mm AMPLITUDE<br>(IN ALL 3 PLANES) |
| DEGREE OF PROTECTION         | IP68                                       |
| SWITCHING STATUS INDICATION  | LED, YELLOW                                |



SOURCE DRAWING - FOR REFERENCE ONLY

NOTES:

1. "/S1631" DESIGNATES CUSTOM WIRING:

- PIN 1 = BROWN
- PIN 2 = N/C
- PIN 3 = BLUE
- PIN 4 = BLACK

2. "/S90" DESIGNATES THERMOPLASTIC POLYURETHANE (TPU) CABLE JACKET.

|  |  |   |  |  |  |  |  |
|--|--|---|--|--|--|--|--|
| RELATED DOCUMENTS                            |  | 3RD ANGLE PROJECTION  |  | THIS DRAWING IS CONFIDENTIAL AND THE PROPERTY OF TURCK INC. USE OF THIS DOCUMENT WITHOUT WRITTEN PERMISSION IS PROHIBITED. |  | 3000 CAMPUS DRIVE<br>MINNEAPOLIS, MN 55441<br>1-800-544-7769<br>(763) 553-7300<br>(763) 553-0708 fax<br>www.turck.us |  |
| 1.<br>2.<br>3.<br>4.                         |  |   |  | DRFT RDS   |  | DATE 06/27/11  |  |
| MATERIAL                                     |  | ALL DIMENSIONS DISPLAYED ON THIS DRAWING ARE FOR REFERENCE ONLY |  | APVD   |  | SCALE 1=2.0  |  |
| FINISH                                       |  | CONTACT TURCK FOR MORE INFORMATION                              |  | UNIT OF MEASUREMENT  |  | DESCRIPTION  |  |
|  |  |   |  | INCH [ MILLIMETER ]  |  | BI15U-EM30E-AP6X-5-RYM40/S1631/S90   |  |
|  |  |   |  | DO NOT SCALE THIS DRAWING  |  | IDENTIFICATION NO.   |  |
|  |  |   |  |  |  | 16367540   |  |
|  |  |   |  |  |  | REV  |  |
|  |  |   |  |  |  | B  |  |
| B UPDATE ID NUMBER PER HARMONIZATION PROJECT |  | CBM 12/20/17  |  |  |  | FILE: 16367540   |  |
| REV DESCRIPTION                              |  | BY DATE ECO NO.   |  |  |  | SHEET 1 OF 1   |  |