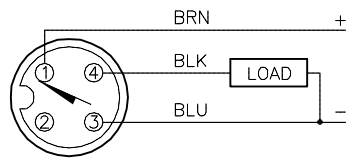


WIRING DIAGRAM

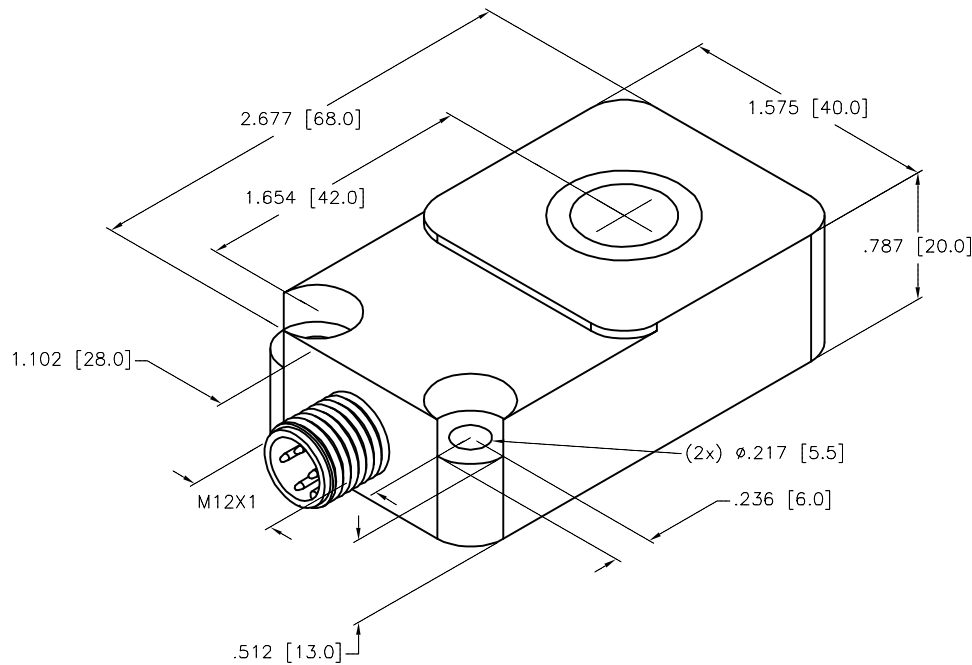


OUTPUT: AP6X2

SHORT-CIRCUIT AND OVERLOAD PROTECTED

SPECIFICATIONS

RATED OPERATING DISTANCE	15mm = .591"
MOUNTING MODE	FLUSH
HYSTERESIS	3-15%
MIN. REPEAT ACCURACY	≤ 2%
TEMPERATURE DRIFT	≤ ±10%
OPERATING TEMPERATURE	-25°C to +70°C (-13°F to +158°F)
OPERATING VOLTAGE	10-30 VDC
RESIDUAL RIPPLE	≤ 10%
RATED OPERATIONAL CURRENT (DC)	≤ 200 mA
NO LOAD CURRENT	≤ 15 mA
RESIDUAL CURRENT	≤ 0.1 mA
RATED INSULATION VOLTAGE	≤ 0.5 kV
SHORT CIRCUIT PROTECTION	INCORPORATED
MAX. VOLTAGE DROP	≤ 1.8 V
WIRE-BREAK PROTECTION	INCORPORATED
REVERSE POLARITY PROTECTION	INCORPORATED
OUTPUT FUNCTION	3-WIRE, NORMALLY OPEN, PNP
MAX. SWITCHING FREQUENCY	≤ 0.25 kHz
HOUSING MATERIAL	PLASTIC, PBT-GF30-V0
CONNECTOR	M12x1
VIBRATION RESISTANCE	55 Hz, (1mm) IN ALL 3 PLANES
SHOCK RESISTANCE	30 g, (11 ms)
DEGREE OF PROTECTION	IP67
OPERATING VOLTAGE INDICATION	LED: GREEN
SWITCHING STATUS INDICATION	LED: YELLOW



SOURCE DRAWING - FOR REFERENCE ONLY

NOTES:

1. "/S1751" DESIGNATES SENSORS WITH FM APPROVAL FOR CLASS I DIV 2 USE. APPROVAL MUST BE LASER ENGRAVED OR PAD PRINTED ON SENSOR

RELATED DOCUMENTS 1. 2. 3. 4.	3RD ANGLE PROJECTION	THIS DRAWING IS CONFIDENTIAL AND THE PROPERTY OF TURCK INC. USE OF THIS DOCUMENT WITHOUT WRITTEN PERMISSION IS PROHIBITED.	3000 CAMPUS DRIVE MINNEAPOLIS, MN 55441 1-800-544-7769 (763) 553-7300 (763) 553-0708 fax www.turck.us	
				<b>TURCK</b>
MATERIAL SEE SPECIFICATIONS	ALL DIMENSIONS DISPLAYED ON THIS DRAWING ARE FOR REFERENCE ONLY	DRFT RDS APVD A.F.	DATE 10/11/18 SCALE 1=1.0	DESCRIPTION B115-Q20-AP6X2-H1141/S1751
FINISH	CONTACT TURCK FOR MORE INFORMATION	UNIT OF MEASUREMENT <b>INCH [ MILLIMETER ]</b>		IDENTIFICATION NO. 1608380
A DRAWING RELEASE		RDS 10/11/18		REV A
REV	DESCRIPTION	BY	DATE	ECO NO.
DO NOT SCALE THIS DRAWING			FILE: 1608380	SHEET 1 OF 1