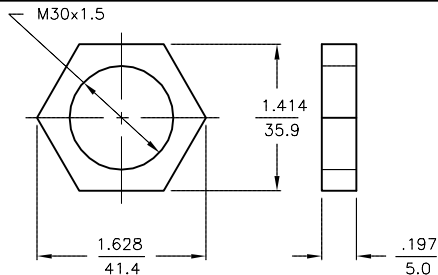
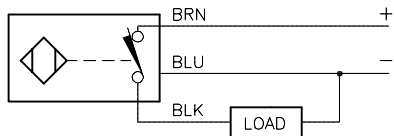


WIRING DIAGRAM

LOCKNUT LN-M30

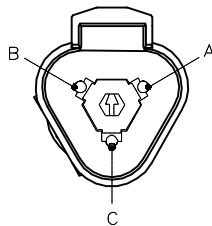
SPECIFICATIONS



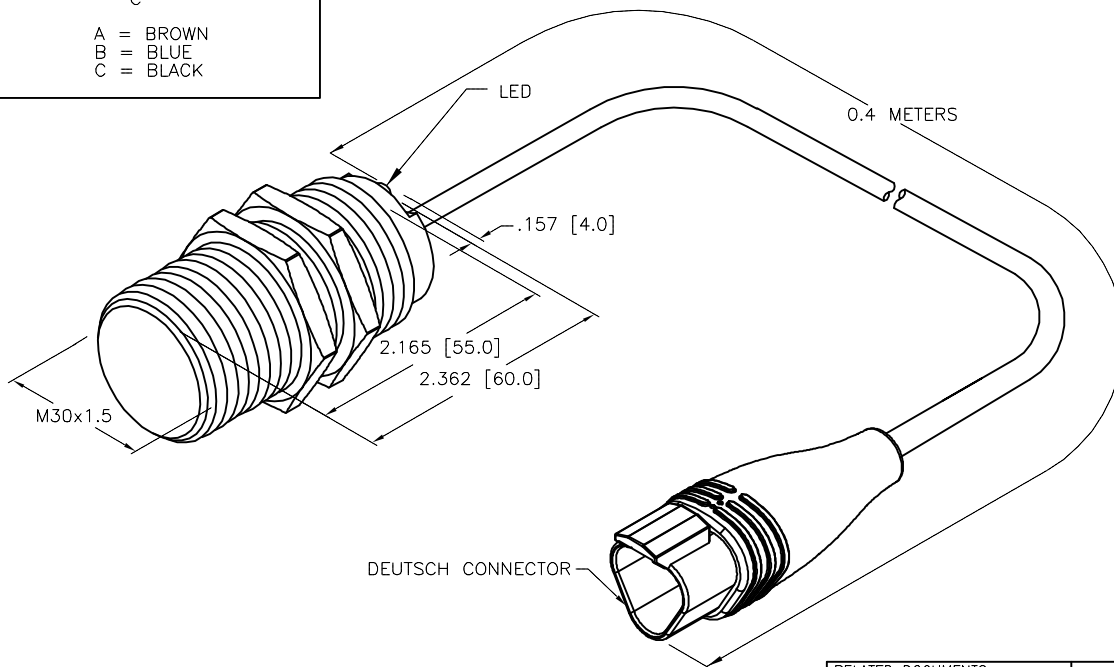
SHORT-CIRCUIT AND OVERLOAD PROTECTED

RATED OPERATING DISTANCE	15mm = 0.5905"
MOUNTING MODE	FLUSH
REPEATABILITY	≤ 2%
TEMPERATURE DRIFT	≤ ± 10%
HYSTERESIS	3-15%
AMBIENT TEMPERATURE	-25°C to +70°C (-13°F to +158°F)
OPERATING VOLTAGE	10-30 VDC
RESIDUAL RIPPLE	≤ 10%
DC RATED OPERATIONAL CURRENT	≤ 200 mA
NO-LOAD CURRENT	≤ 15 mA
RESIDUAL CURRENT	≤ 0.1 mA
RATED INSULATION VOLTAGE	≤ 0.5 kV
SHORT-CIRCUIT PROTECTION	YES
MAX. VOLTAGE DROP	≤ 1.8 v
WIRE BREAK PROTECTION	INCORPORATED
REVERSE POLARITY PROTECTION	INCORPORATED
OUTPUT FUNCTION	3-WIRE, NORMALLY CLOSED, PNP
SWITCHING FREQUENCY	≤ 0.5 kHz
HOUSING MATERIAL/PLATING	BRASS/CHROME
ACTIVE FACE MATERIAL	PA12-GF20
END CAP MATERIAL	PLASTIC, PP, EPTR
CABLE	ø5.2, PVC
VIBRATION RESISTANCE	55 Hz (IN ALL 3 PLANES)
SHOCK RESISTANCE	30 g, 11 ms
PROTECTION DEGREE	IP67
SWITCHING STATUS INDICATION	LED; YELLOW

MALE END VIEW



A = BROWN
B = BLUE
C = BLACK



SOURCE DRAWING - FOR REFERENCE ONLY

NOTES:

DEUTSCH PART NUMBERS:
CONNECTOR: DT04-3P-CE02
LOCKING WEDGE: W3P
PINS: 460-202-16141
PINOUT: A=BROWN, B=BLUE, C=BLACK

1. "/S1055" DESIGNATES RED MOLD BODY.

RELATED DOCUMENTS 1. 2. 3. 4.	3RD ANGLE PROJECTION	THIS DRAWING IS CONFIDENTIAL AND THE PROPERTY OF TURCK INC. USE OF THIS DOCUMENT WITHOUT WRITTEN PERMISSION IS PROHIBITED.	3000 CAMPUS DRIVE MINNEAPOLIS, MN 55441 1-800-544-7769 (763) 553-7300 (763) 553-0708 fax www.turck.us	
			TURCK	
MATERIAL SEE SPECS	ALL DIMENSIONS DISPLAYED ON THIS DRAWING ARE FOR REFERENCE ONLY	DRFT NF	DATE 06/21/17	DESCRIPTION BI15-M30-RP6X-0.4-DT04-3PM3/S1055
FINISH SEE SPECS		APVD A.F.	SCALE 1=1.5	
		UNIT OF MEASUREMENT INCH [MILLIMETER]		IDENTIFICATION NO. 4618596
		CONTACT TURCK FOR MORE INFORMATION		REV B
		DO NOT SCALE THIS DRAWING		FILE: 4618596
				SHEET 1 OF 1

B	UPDATE DESCRIPTION	RDS	10/06/17	62567
REV	DESCRIPTION	BY	DATE	ECO NO.