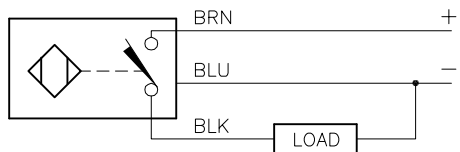


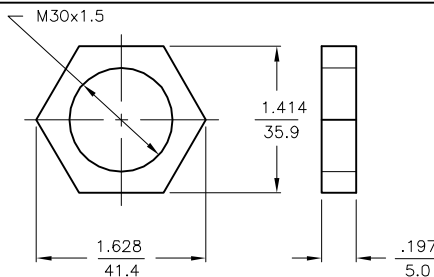
WIRING DIAGRAM



OUTPUT: AP6X

SHORT-CIRCUIT AND OVERLOAD PROTECTED

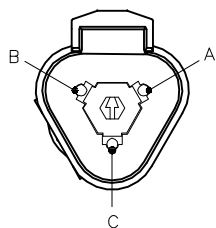
LOCKNUT LN-M30



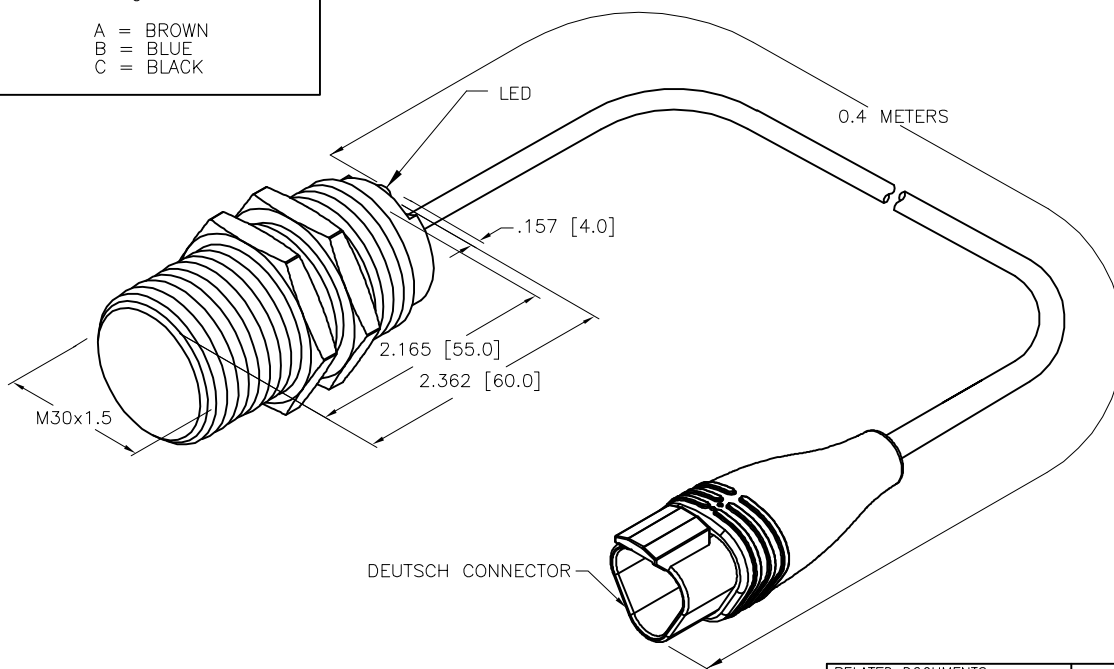
SPECIFICATIONS

RATED OPERATING DISTANCE	15mm = 0.5905"
MOUNTING MODE	FLUSH
REPEATABILITY	≤ 2%
TEMPERATURE DRIFT	≤ ± 10%
HYSTERESIS	3-15%
AMBIENT TEMPERATURE	-25°C to +70°C (-13°F to +158°F)
OPERATING VOLTAGE	10-30 VDC
RESIDUAL RIPPLE	≤ 10%
DC RATED OPERATIONAL CURRENT	≤ 200 mA
NO-LOAD CURRENT	≤ 15 mA
RESIDUAL CURRENT	≤ 0.1 mA
RATED INSULATION VOLTAGE	≤ 0.5 kV
SHORT-CIRCUIT PROTECTION	YES
MAX. VOLTAGE DROP	≤ 1.8 V
WIRE BREAK PROTECTION	INCORPORATED
REVERSE POLARITY PROTECTION	INCORPORATED
OUTPUT FUNCTION	3-WIRE, NORMALLY OPEN, PNP
SWITCHING FREQUENCY	≤ 0.5 kHz
HOUSING MATERIAL/PLATING	BRASS/CHROME
ACTIVE FACE MATERIAL	PA12-GF20
END CAP MATERIAL	PLASTIC, PP, EPTR
CABLE	ø5.2, PVC
VIBRATION RESISTANCE	55 Hz (IN ALL 3 PLANES)
SHOCK RESISTANCE	30 g, 11 ms
PROTECTION DEGREE	IP67
SWITCHING STATUS INDICATION	LED; YELLOW

MALE END VIEW



A = BROWN  
B = BLUE  
C = BLACK



NOTES:

DEUTSCH PART NUMBERS:  
CONNECTOR: DT04-3P-CE02  
LOCKING WEDGE: W3P  
PINS: 460-202-16141  
PINOUT: A=BROWN, B=BLUE, C=BLACK

SOURCE DRAWING - FOR REFERENCE ONLY

RELATED DOCUMENTS 1. 2. 3. 4.	3RD ANGLE PROJECTION	THIS DRAWING IS CONFIDENTIAL AND THE PROPERTY OF TURCK INC. USE OF THIS DOCUMENT WITHOUT WRITTEN PERMISSION IS PROHIBITED.	3000 CAMPUS DRIVE MINNEAPOLIS, MN 55441 1-800-544-7769 (763) 553-7300 (763) 553-0708 fax www.turck.us	
				DESCRIPTION B115-M30-AP6X-0.4-DT04-3PM3
MATERIAL SEE SPECS	DRFT TV APVD A.F.	DATE 07/18/17 SCALE 1=1.5	IDENTIFICATION NO. 46185994	
FINISH SEE SPECS	UNIT OF MEASUREMENT <b>INCH [ MILLIMETER ]</b>	CONTACT TURCK FOR MORE INFORMATION	REV B	
DO NOT SCALE THIS DRAWING		FILE: 46185994	SHEET 1 OF 1	

B	UPDATE DESCRIPTION	RDS	10/06/17	62567
REV	DESCRIPTION	BY	DATE	ECO NO.