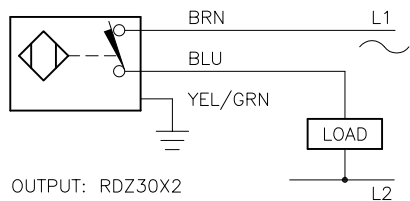


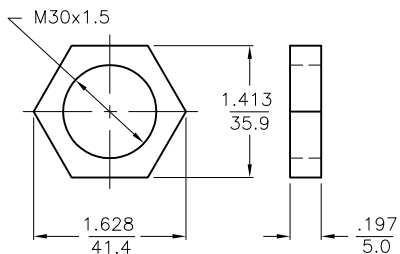
WIRING DIAGRAM

LOCKNUT LN-M30



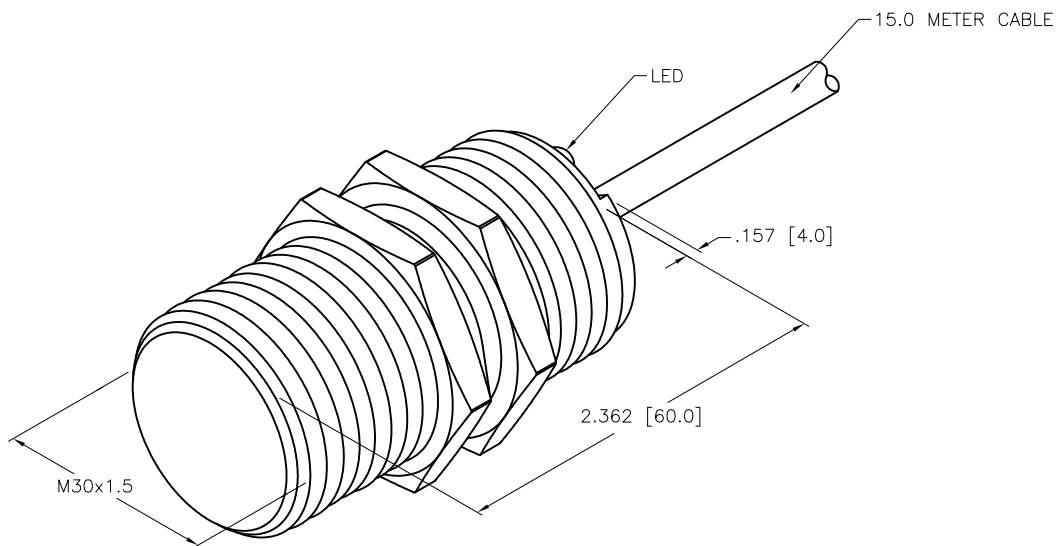
OUTPUT: RDZ30X2

SHORT-CIRCUIT AND OVERLOAD PROTECTED



SPECIFICATIONS

RATED OPERATING DISTANCE	15mm = .591"
MOUNTING MODE	FLUSH
REPEATABILITY	≤ 2%
HYSTERESIS	3-15%
AMBIENT TEMPERATURE	-25°C to +70°C (-13°F to +158°F)
OPERATING VOLTAGE	20-250 VAC/10-300 VDC
RATED OPERATIONAL CURRENT (AC/DC)	≤400 mA/≤300 mA
MAINS FREQUENCY	50-60 Hz
RESIDUAL CURRENT	≤ 1.7 mA
RATED INSULATION VOLTAGE	≤ 1.5 kV
SURGE CURRENT	≤ 3.0 A (≤ 20 ms Max. 5 Hz)
SHORT-CIRCUIT PROTECTION	YES
MAX. VOLTAGE DROP	≤ 6.0 V
WIRE BREAK PROTECTION	INCORPORATED
REVERSE POLARITY PROTECTION	INCORPORATED
OUTPUT FUNCTION	2-WIRE, NORMALLY CLOSED
SMALLEST OPERATING CURRENT	≥ 3.0 mA
SWITCHING FREQUENCY	≤ 0.02 kHz
HOUSING MATERIAL	BRASS/CHROME-PLATED
ACTIVE FACE MATERIAL	PLASTIC, PA 12
END CAP MATERIAL	PLASTIC, EPTR
CABLE	ø5.2, PVC
VIBRATION RESISTANCE	55 Hz (IN ALL 3 PLANES)
SHOCK RESISTANCE	30 g, 11 ms
PROTECTION DEGREE	IP67
SWITCHING STATUS INDICATION	LED; RED



SOURCE DRAWING - FOR REFERENCE ONLY

NOTES:

1. "/S1023" DESIGNATES WET/WASHDOWN APPLICATIONS. LENSED LEDS AND SERPENTINE, FULLY POTTED, INTERNAL CABLE.

RELATED DOCUMENTS 1. 2. 3. 4.	3RD ANGLE PROJECTION	THIS DRAWING IS CONFIDENTIAL AND THE PROPERTY OF TURCK INC. USE OF THIS DOCUMENT WITHOUT WRITTEN PERMISSION IS PROHIBITED.	3000 CAMPUS DRIVE MINNEAPOLIS, MN 55441 1-800-544-7769 (763) 553-7300 (763) 553-0708 fax www.turck.us	
MATERIAL SEE SPECS	ALL DIMENSIONS DISPLAYED ON THIS DRAWING ARE FOR REFERENCE ONLY	DRFT TV	DATE 05/02/16	DESCRIPTION B115-G30-RDZ30X2/S1023 15M
FINISH SEE SPECS		APVD A.F.	SCALE 1=1.0	
		UNIT OF MEASUREMENT <b>INCH [ MILLIMETER ]</b>		IDENTIFICATION NO. 42072903
		CONTACT TURCK FOR MORE INFORMATION		REV B
		DO NOT SCALE THIS DRAWING		FILE: 42072903
B UPDATE ID NUMBER PER HARMONIZATION PROJECT	CBM 12/20/17			
REV DESCRIPTION	BY DATE ECO NO.	SHEET 1 OF 1		