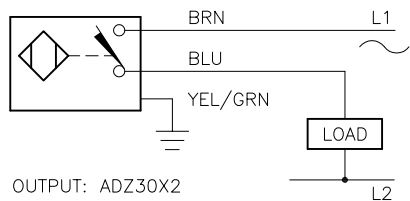


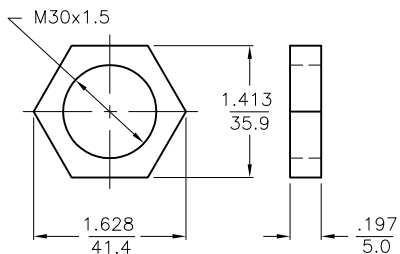
WIRING DIAGRAM

LOCKNUT LN-M30



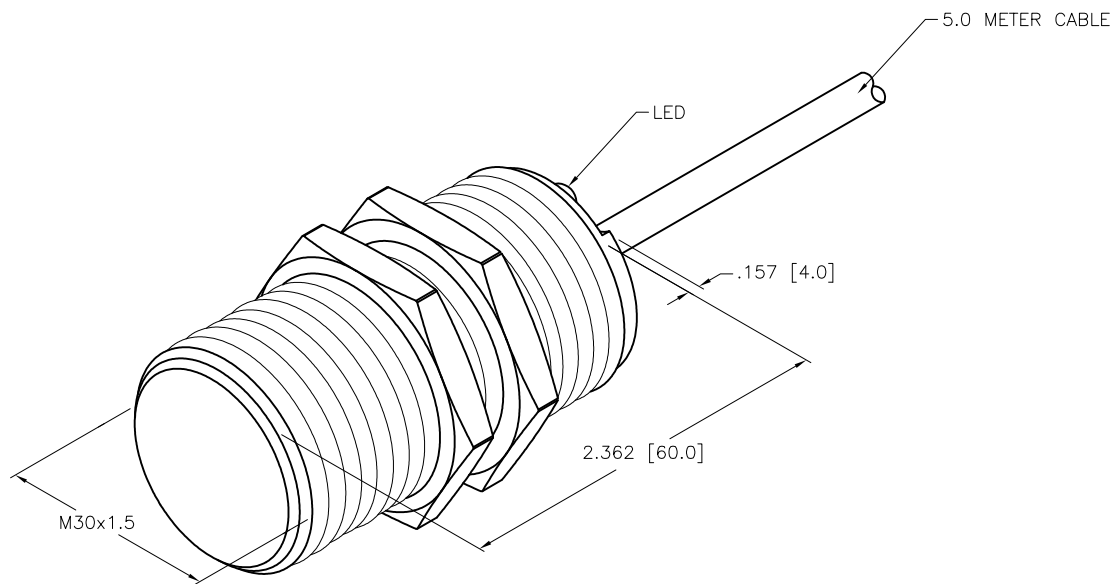
OUTPUT: ADZ30X2

SHORT-CIRCUIT AND OVERLOAD PROTECTED



SPECIFICATIONS

RATED OPERATING DISTANCE	15 mm = .591"
MOUNTING MODE	FLUSH
MIN. REPEAT ACCURACY	≤ 2.0%
TEMPERATURE DRIFT	≤ ± 10% ≤ ± 15%, ≤ ± -25°C ≥ +70°C
OPERATING TEMPERATURE	-30°C to +75°C (-22°F to +185°F)
OPERATING VOLTAGE (AC/DC)	20-250 VAC/10-300 VDC
RATED OPERATIONAL CURRENT (AC/DC)	≤ 400 mA/≤ 300 mA
MAINS FREQUENCY	50-60 Hz
RESIDUAL CURRENT	≤ 1.7 mA
RATED INSULATION VOLTAGE	≤ 1.5 kV
SURGE CURRENT	≤ 3.0 A (≤ 20 ms Max. 5 Hz)
SHORT-CIRCUIT PROTECTED	YES
MAX. VOLTAGE DROP	≤ 6.0 V
WIRE-BREAK PROTECTION	INCORPORATED
REVERSE POLARITY PROTECTION	INCORPORATED
OUTPUT FUNCTION	2-WIRE, NORMALLY OPEN, AC/DC
SMALLEST OPERATING CURRENT	≥ 3.0 mA
SWITCHING FREQUENCY	≤ 0.02 kHz
HOUSING MATERIAL/PLATING	BRASS/CHROME
ACTIVE FACE MATERIAL	PLASTIC, PBT
END CAP MATERIAL	PLASTIC, EPTR
CABLE	∅5.2, PVC
VIBRATION RESISTANCE	55 Hz (IN ALL 3 PLANES)
SHOCK RESISTANCE	30 g, 11 ms
DEGREE OF PROTECTION	IP 67
OPERATING VOLTAGE DISPLAY	LED; GREEN
SWITCHING STATUS DISPLAY	LED; YELLOW



SOURCE DRAWING - FOR REFERENCE ONLY

NOTES:

1. "/S1023" DESIGNATES WET/WASHDOWN APPLICATIONS. LENSED LEDS AND SERPENTINE, FULLY POTTED, INTERNAL CABLE.

RELATED DOCUMENTS 1. 2. 3. 4.	3RD ANGLE PROJECTION	THIS DRAWING IS CONFIDENTIAL AND THE PROPERTY OF TURCK INC. USE OF THIS DOCUMENT WITHOUT WRITTEN PERMISSION IS PROHIBITED.	3000 CAMPUS DRIVE MINNEAPOLIS, MN 55441 1-800-544-7769 (763) 553-7300 (763) 553-0708 fax www.turck.us	
			DRFT RDS DATE 02/21/07	DESCRIPTION BI15-G30-ADZ30X2/S1023 5M
MATERIAL	ALL DIMENSIONS DISPLAYED ON THIS DRAWING ARE FOR REFERENCE ONLY	APVD AF	SCALE NONE	IDENTIFICATION NO. 42072003
FINISH	CONTACT TURCK FOR MORE INFORMATION	UNIT OF MEASUREMENT INCH [MILLIMETER]		REV B
B UPDATE ID NUMBER PER HARMONIZATION PROJECT	CBM 12/20/17	DO NOT SCALE THIS DRAWING		FILE: 42072003
REV DESCRIPTION	BY DATE ECO NO.			SHEET 1 OF 1