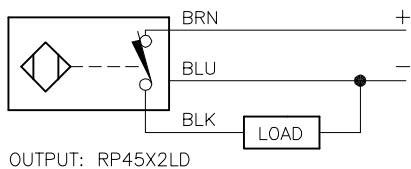


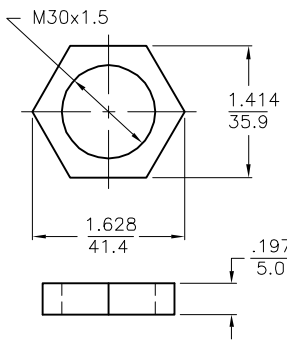
WIRING DIAGRAM



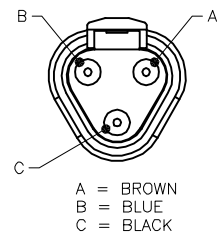
OUTPUT: RP45X2LD

SHORT-CIRCUIT AND OVERLOAD PROTECTED

LOCKNUT LN-EM30



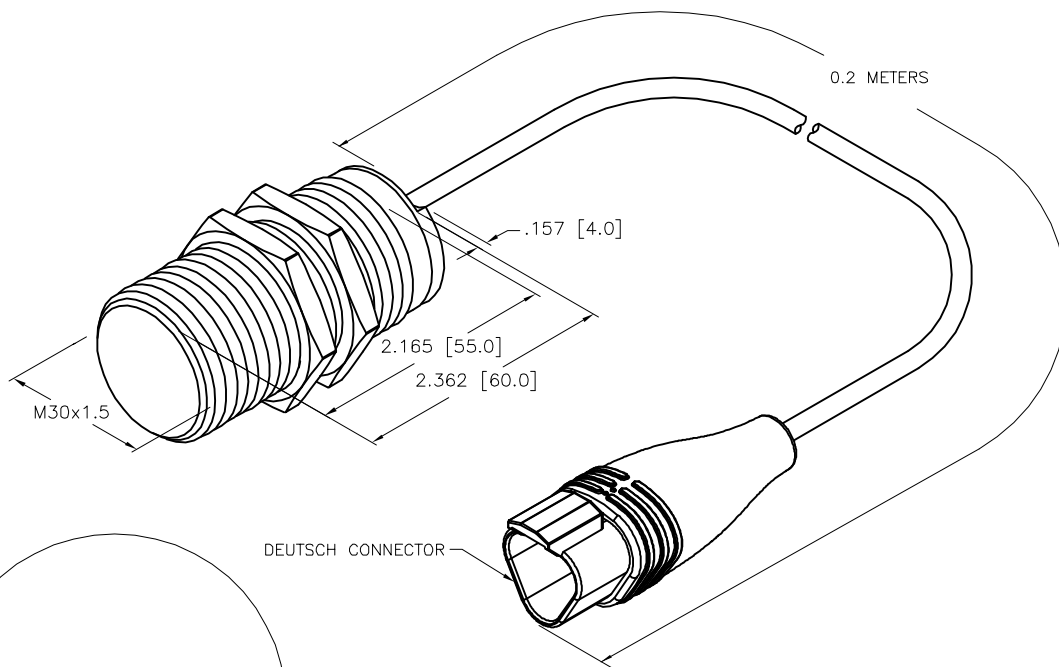
MALE END VIEW



A = BROWN
B = BLUE
C = BLACK

SPECIFICATIONS

RATED OPERATING DISTANCE	15.0 mm [.591"]
MOUNTING MODE	FLUSH
TEMPERATURE DRIFT	≤ ±10% ≤ ±15%, ≤ -25°C V ≥ +70°C
HYSTERESIS	3-15%
MIN. REPEAT ACCURACY	≤ 2%
AMBIENT TEMPERATURE	-40°C to +85°C (-40°F to +185°F)
OPERATING VOLTAGE	8.4-65 VDC
RESIDUAL RIPPLE	≤ 10%
DC OPERATIONAL CURRENT	≤ 200 mA
NO-LOAD CURRENT	≤ 15 mA
RESIDUAL CURRENT	≤ 0.1 mA
RATED INSULATION VOLTAGE	≤ 0.5 kV
OUTPUT FUNCTION	3-WIRE, NORMALLY CLOSED, PNP
SHORT-CIRCUIT PROTECTION	YES
MAX. VOLTAGE DROP	≤ 1.8 V
WIRE BREAKAGE PROTECTION	INCORPORATED
REVERSE POLARITY PROTECTION	INCORPORATED
LOAD DUMP PROTECTION	IV/LEVEL 4, din 40839 (SAE J 1113-11)
SWITCHING FREQUENCY	≤ 0.5 kHz
HOUSING MATERIAL	SST, AISI 304 (1.4301)
ACTIVE FACE MATERIAL	PLASTIC, PA12-GF30
END CAP MATERIAL	PLASTIC, EPTR
CONNECTION	CABLE
CABLE	∅5.2, Lif32Y32Y, TPE
VIBRATION RESISTANCE	55 Hz (IN ALL 3 PLANES)
SHOCK RESISTANCE	150 g, 6 ms, (IN ALL 3 PLANES)
DEGREE OF PROTECTION	IP68/IP69K
SWITCHING STATUS INDICATION	LED/YELLOW
NOISE IMMUNITY	100 V/m RADIATED & 100 mA BCI



DEUTSCH CONNECTOR

15840805
(DATE CODE)

ID NUMBER LASER
MARKED ON FACE

DEUTSCH PART NUMBERS:
CONNECTOR: DT04-3P-CE02
LOCKING WEDGE: W3P
PINS: 0460-202-16141 (3x)

PINOUT:
A = BROWN
B = BLUE
C = BLACK

SOURCE DRAWING - FOR REFERENCE ONLY

RELATED DOCUMENTS	3RD ANGLE PROJECTION	THIS DRAWING IS CONFIDENTIAL AND THE PROPERTY OF TURCK INC. USE OF THIS DOCUMENT WITHOUT WRITTEN PERMISSION IS PROHIBITED.		3000 CAMPUS DRIVE MINNEAPOLIS, MN 55441 1-800-544-7769 (763) 553-7300 (763) 553-0708 fax www.turck.us				
1.		DRFT	RDS	DATE 10/10/17	DESCRIPTION BI15-EM30-RP45XLD-0.2-DT04-3PM3			
2.		APVD	A.F.	SCALE 1=1.5				
3.		MATERIAL SEE SPECIFICATIONS	UNIT OF MEASUREMENT INCH [MILLIMETER]			IDENTIFICATION NO. 15840805		
4.			CONTACT TURCK FOR MORE INFORMATION				REV B	
FINISH SEE SPECIFICATIONS		DO NOT SCALE THIS DRAWING			FILE: 15840805			
REV		DESCRIPTION		BY	DATE	ECO NO.	SHEET 1 OF 1	

TURCK