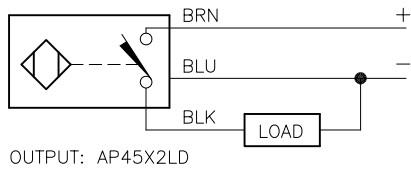
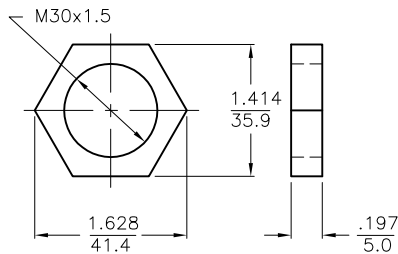


WIRING DIAGRAM



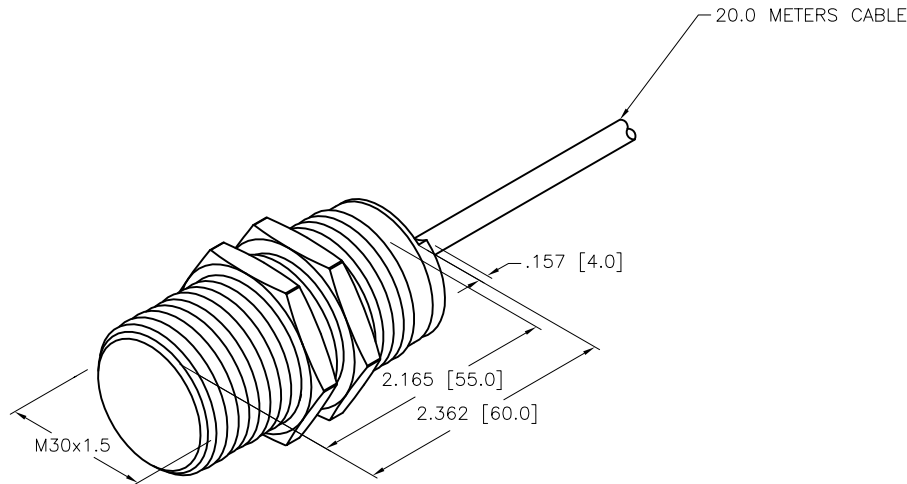
SHORT-CIRCUIT AND OVERLOAD PROTECTED

LOCKNUT LN-EM30



SPECIFICATIONS

RATED OPERATING DISTANCE	15.0 mm [.591"]
MOUNTING MODE	FLUSH
TEMPERATURE DRIFT	≤ ±10% ≤ ±15%, ≤ -25°C V ≥ +70°C
HYSTERESIS	3-15%
MIN. REPEAT ACCURACY	≤ 2%
AMBIENT TEMPERATURE	-40°C to +85°C (-40°F to +185°F)
OPERATING VOLTAGE	8.4-65 VDC
RESIDUAL RIPPLE	≤ 10%
DC OPERATIONAL CURRENT	≤ 200 mA
NO-LOAD CURRENT	≤ 15 mA
RESIDUAL CURRENT	≤ 0.1 mA
RATED INSULATION VOLTAGE	≤ 0.5 kV
OUTPUT FUNCTION	3-WIRE, NORMALLY OPEN, PNP
SHORT-CIRCUIT PROTECTION	YES
MAX. VOLTAGE DROP	≤ 1.8 V
WIRE BREAKAGE PROTECTION	INCORPORATED
REVERSE POLARITY PROTECTION	INCORPORATED
LOAD DUMP PROTECTION	IV/LEVEL 4, din 40839 (SAE J 1113-11)
SWITCHING FREQUENCY	≤ 0.5 kHz
HOUSING MATERIAL	SST, AISI 304 (1.4301)
ACTIVE FACE MATERIAL	PLASTIC, PA12-GF30
END CAP MATERIAL	PLASTIC, EPTR
CONNECTION	CABLE
CABLE	∅5.2, TPE
VIBRATION RESISTANCE	55 Hz (IN ALL 3 PLANES)
SHOCK RESISTANCE	150 g, 6 ms, (IN ALL 3 PLANES)
DEGREE OF PROTECTION	IP68/IP69K
SWITCHING STATUS INDICATION	LED/YELLOW
NOISE IMMUNITY	100 V/m RADIATED & 100 mA BCI



T1584004-003  
BI15-EM30-AP45XLD 20M  
(DATE CODE)

PART NUMBER LASER  
MARKED ON FACE

SOURCE DRAWING - FOR REFERENCE ONLY

RELATED DOCUMENTS 1. 2. 3. 4.	3RD ANGLE PROJECTION	THIS DRAWING IS CONFIDENTIAL AND THE PROPERTY OF TURCK INC. USE OF THIS DOCUMENT WITHOUT WRITTEN PERMISSION IS PROHIBITED.	3000 CAMPUS DRIVE MINNEAPOLIS, MN 55441 1-800-544-7769 (763) 553-7300 (763) 553-0708 fax www.turck.us	
			DRFT RDS APVD A.F.	DATE 03/03/14 SCALE 1=1.5
MATERIAL SEE SPECIFICATIONS	ALL DIMENSIONS DISPLAYED ON THIS DRAWING ARE FOR REFERENCE ONLY	UNIT OF MEASUREMENT <b>INCH [ MILLIMETER ]</b>		IDENTIFICATION NO. 15840213
FINISH SEE SPECIFICATIONS		CONTACT TURCK FOR MORE INFORMATION	DO NOT SCALE THIS DRAWING	REV D
D UPDATE ID NUMBER PER HARMONIZATION PROJECT	CBM 12/21/17	FILE: 15840213		SHEET 1 OF 1
REV DESCRIPTION	BY DATE ECO NO.			