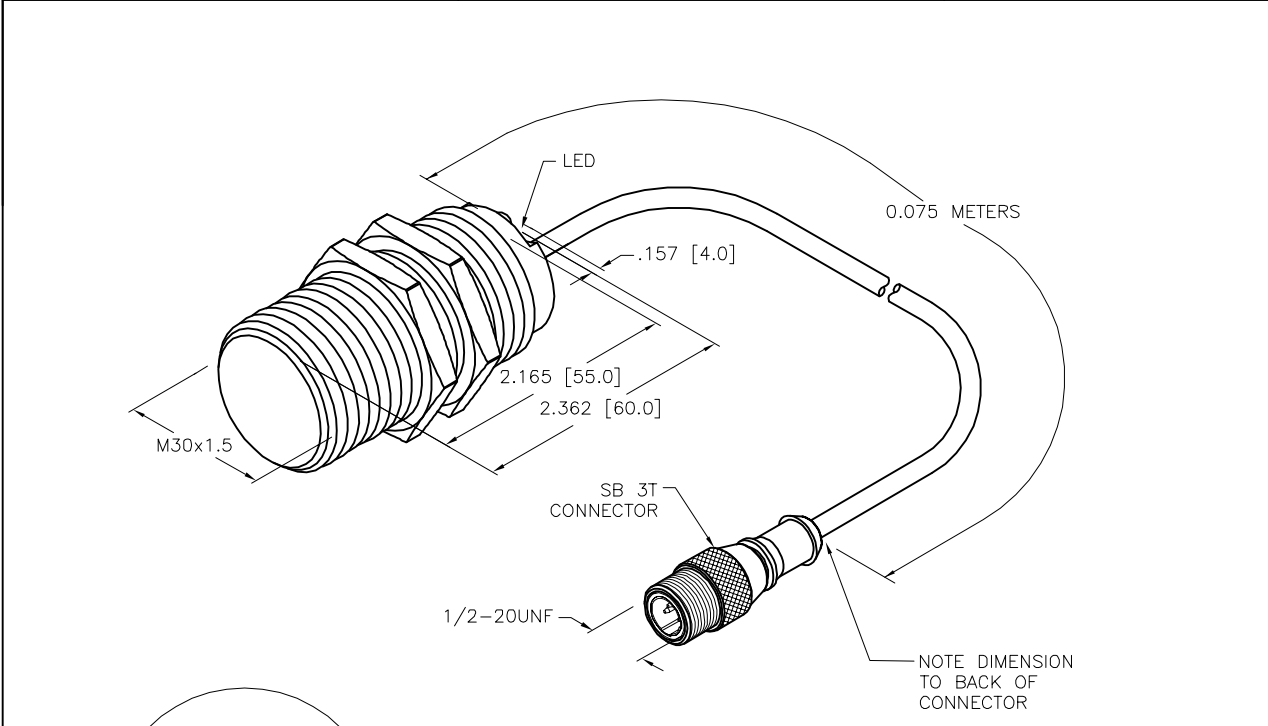


SPECIFICATIONS	
RATED OPERATING DISTANCE	15mm [.591"]
MOUNTING MODE	FLUSH
HYSTERESIS	3-15%
MIN. REPEAT ACCURACY	≤ 2%
TEMPERATURE DRIFT	≤ ± 10% ≤ ± 15%, ≤ -25°C v ≥ +70°C
OPERATING TEMPERATURE	-40°C to +85°C (-40°F to +185°F)
RATED OPERATIONAL VOLTAGE	8.4-65 VDC
RESIDUAL RIPPLE	≤ 10%
DC RATED OPERATIONAL CURRENT	≤ 200 mA
NO-LOAD CURRENT	≤ 15 mA
RESIDUAL CURRENT	≤ 0.1 mA
RATED INSULATION VOLTAGE	≤ 0.5 kV
SHORT-CIRCUIT PROTECTED	YES
MAX. VOLTAGE DROP	≤ 1.8 V
REVERSE POLARITY PROTECTION	INCORPORATED
WIRE-BREAK PROTECTION	INCORPORATED
OUTPUT FUNCTION	3-WIRE, NORMALLY OPEN, PNP
MAX. SWITCHING FREQUENCY	≤ 0.5 kHz
HOUSING MATERIAL	SST, AISI 304 (1.4301)
ACTIVE FACE MATERIAL	PLASTIC, PA12-GF30
END CAP MATERIAL	PLASTIC, EPTR
CABLE	Ø5.2, TPE
SHOCK RESISTANCE	150 g, 6 ms, (IN ALL 3 PLANES)
VIBRATION RESISTANCE	55 Hz, 1 mm AMPLITUDE (IN ALL 3 PLANES)
DEGREE OF PROTECTION	IP68, IP69K
INCREASED INTERFERENCE IMMUNITY	100 V/m RADIATED & 100 mA BCI
LOAD & DUMP PROTECTION	DIN 40839 (SAE J 1113-11)
SWITCHING STATUS INDICATION	LED, YELLOW



DC RATED OPERATIONAL CURRENT	≤ 200 mA
NO-LOAD CURRENT	≤ 15 mA
RESIDUAL CURRENT	≤ 0.1 mA
RATED INSULATION VOLTAGE	≤ 0.5 kV
SHORT-CIRCUIT PROTECTED	YES
MAX. VOLTAGE DROP	≤ 1.8 V
REVERSE POLARITY PROTECTION	INCORPORATED
WIRE-BREAK PROTECTION	INCORPORATED
OUTPUT FUNCTION	3-WIRE, NORMALLY OPEN, PNP
MAX. SWITCHING FREQUENCY	≤ 0.5 kHz
HOUSING MATERIAL	SST, AISI 304 (1.4301)
ACTIVE FACE MATERIAL	PLASTIC, PA12-GF30
END CAP MATERIAL	PLASTIC, EPTR
CABLE	Ø5.2, TPE
SHOCK RESISTANCE	150 g, 6 ms, (IN ALL 3 PLANES)
VIBRATION RESISTANCE	55 Hz, 1 mm AMPLITUDE (IN ALL 3 PLANES)
DEGREE OF PROTECTION	IP68, IP69K
INCREASED INTERFERENCE IMMUNITY	100 V/m RADIATED & 100 mA BCI
LOAD & DUMP PROTECTION	DIN 40839 (SAE J 1113-11)
SWITCHING STATUS INDICATION	LED, YELLOW

1584083
(DATE CODE)

ID NUMBER LASER
MARKED ON FACE

SOURCE DRAWING - FOR REFERENCE ONLY

RELATED DOCUMENTS 1. 2. 3. 4.	3RD ANGLE PROJECTION	THIS DRAWING IS CONFIDENTIAL AND THE PROPERTY OF TURCK INC. USE OF THIS DOCUMENT WITHOUT WRITTEN PERMISSION IS PROHIBITED.	3000 CAMPUS DRIVE MINNEAPOLIS, MN 55441 1-800-544-7769 (763) 553-7300 (763) 553-0708 fax www.turck.us	
				TURCK
MATERIAL	ALL DIMENSIONS DISPLAYED ON THIS DRAWING ARE FOR REFERENCE ONLY	DRFT RDS	DATE 02/03/10	DESCRIPTION BI15-EM30-AP45XLD-0.075-SB3T
FINISH	CONTACT TURCK FOR MORE INFORMATION	APVD	SCALE 1=1.5	IDENTIFICATION NO. 1584083
		UNIT OF MEASUREMENT INCH [MILLIMETER]		REV F
		DO NOT SCALE THIS DRAWING		FILE: 1584083
				SHEET 1 OF 1

F	UPDATE LASER MARK	TR	11/13/23	79509
REV	DESCRIPTION	BY	DATE	ECO NO.