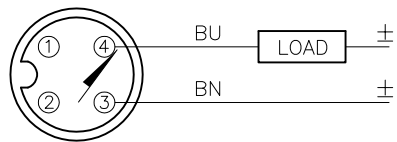


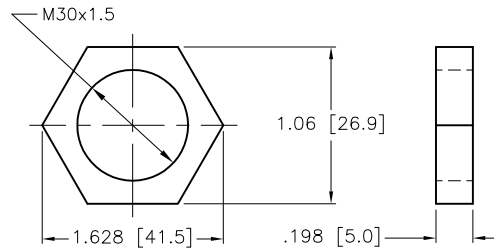
WIRING DIAGRAM



OUTPUT: AD4X

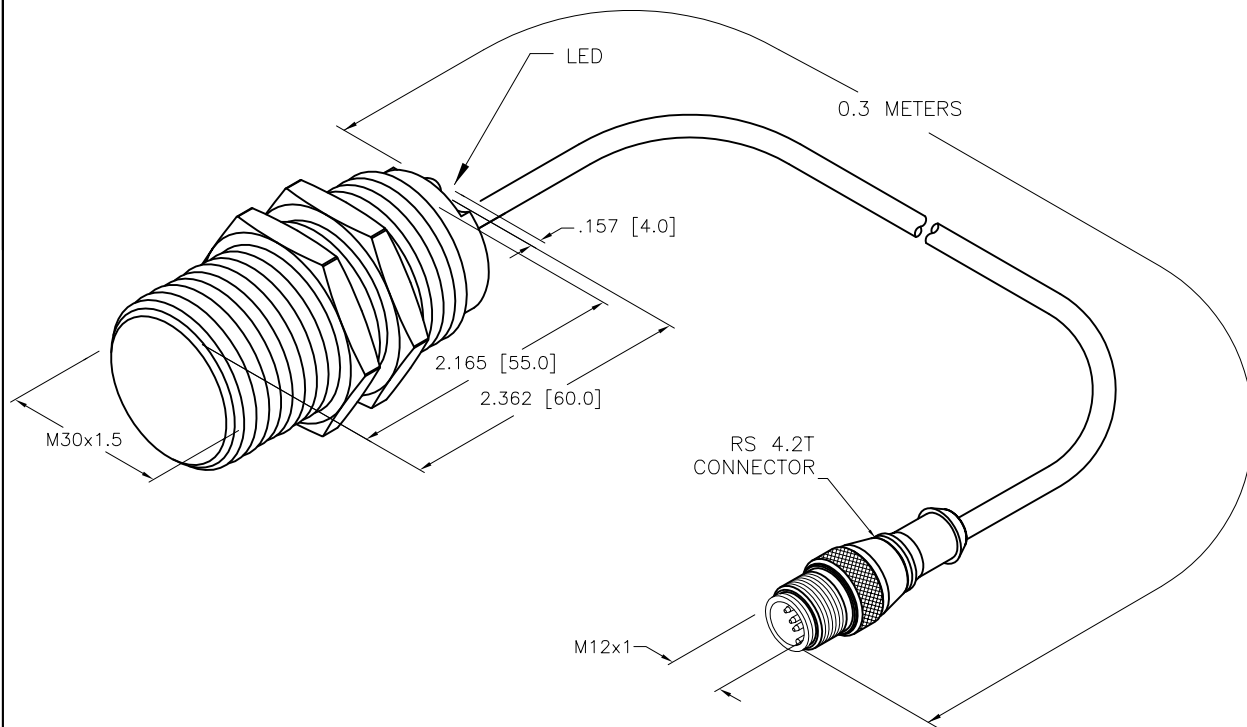
SHORT-CIRCUIT AND OVERLOAD PROTECTED

LOCKNUT LN-M30



SPECIFICATIONS

RATED OPERATING DISTANCE	12mm [.472"]
MOUNTING MODE	FLUSH
HYSTERESIS	1-15%
MIN. REPEAT ACCURACY	≤ 2%
TEMPERATURE DRIFT	≤ ± 10%
OPERATING TEMPERATURE	-25°C to +70°C (-13°F to +158°F)
RATED OPERATIONAL VOLTAGE	10-65 VDC
RESIDUAL RIPPLE	≤ 10%
RATED OPERATIONAL CURRENT	≤ 100 mA
RESIDUAL CURRENT	≤ 0.6 mA
RATED INSULATION VOLTAGE	≤ 0.5 kV
SHORT-CIRCUIT PROTECTED	YES
SMALLEST OPERATING CURRENT	≥ 2.0 mA
MAX. VOLTAGE DROP	≤ 5.0 V
OUTPUT FUNCTION	2-WIRE, NORMALLY OPEN
MAX. SWITCHING FREQUENCY	≤ 0.5 kHz
HOUSING MATERIAL/PLATING	BRASS/CHROME
ACTIVE FACE MATERIAL	PLASTIC, PA12-GF30
END CAP MATERIAL	PLASTIC, EPTR
CABLE	5.2 DIA., PVC
SHOCK RESISTANCE	30 g, 11 ms
VIBRATION RESISTANCE	55 Hz, 1 mm AMPLITUDE (IN ALL 3 PLANES)
DEGREE OF PROTECTION	IP67
SWITCHING STATUS INDICATION	LED, YELLOW



SOURCE DRAWING - FOR REFERENCE ONLY

RELATED DOCUMENTS		3RD ANGLE PROJECTION		THIS DRAWING IS CONFIDENTIAL AND THE PROPERTY OF TURCK INC. USE OF THIS DOCUMENT WITHOUT WRITTEN PERMISSION IS PROHIBITED.		3000 CAMPUS DRIVE MINNEAPOLIS, MN 55441 1-800-544-7769 (763) 553-7300 (763) 553-0708 fax www.turck.us		
1. 2. 3. 4.				DRFT RDS DATE 10/26/09 APVD SCALE 1=1.3		DESCRIPTION BI12-M30-AD4X-0.3M-RS4.2T		
MATERIAL		ALL DIMENSIONS DISPLAYED ON THIS DRAWING ARE FOR REFERENCE ONLY		UNIT OF MEASUREMENT		IDENTIFICATION NO.		
FINISH		CONTACT TURCK FOR MORE INFORMATION		INCH [MILLIMETER] DO NOT SCALE THIS DRAWING		4417081 REV C		
C	UPDATE ID NUMBER PER HARMONIZATION PROJECT	CBM	11/06/17	FILE: 4417081				SHEET 1 OF 1
REV	DESCRIPTION	BY	DATE	ECO NO.				

C	UPDATE ID NUMBER PER HARMONIZATION PROJECT	CBM	11/06/17	ECO NO.
REV	DESCRIPTION	BY	DATE	ECO NO.