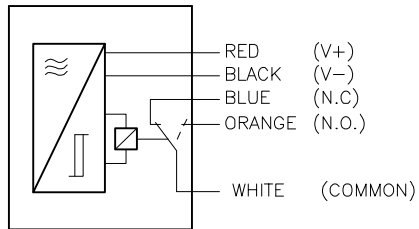
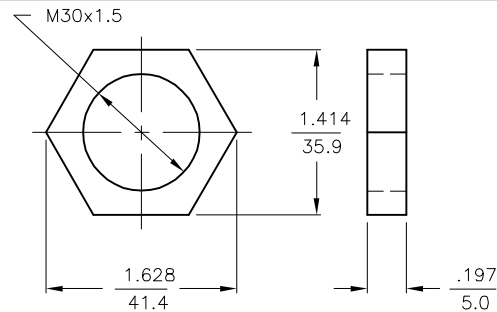


WIRING DIAGRAM

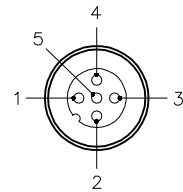


WARNING: NO SHORT-CIRCUIT PROTECTION

LOCKNUT LN-M30



MALE END VIEW

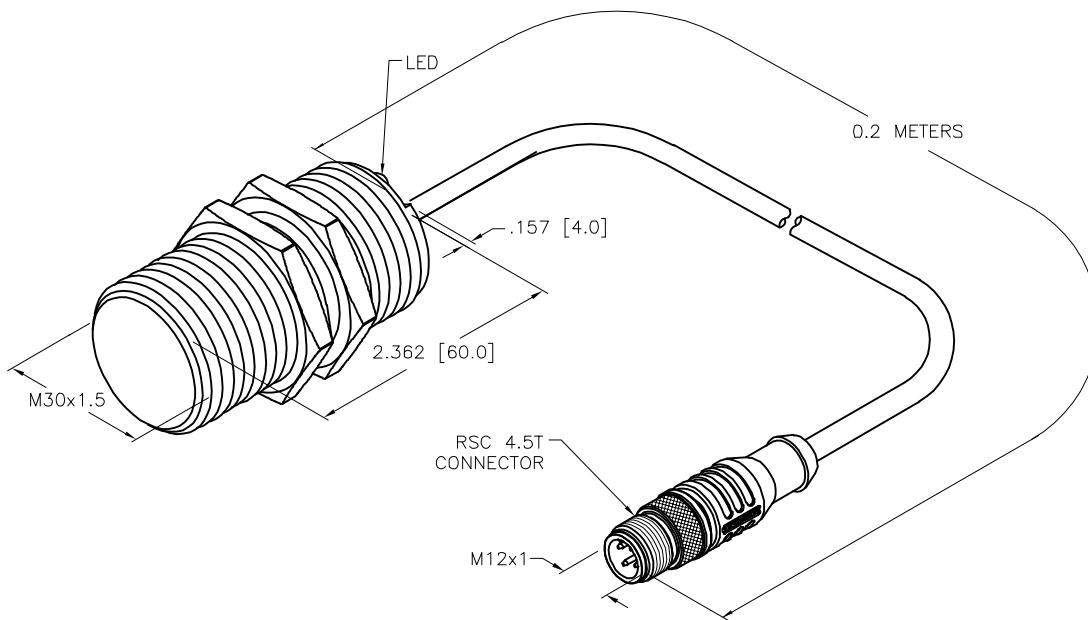


- 1 = RED (+)
- 2 = BLUE (N/C)
- 3 = BLACK (-)
- 4 = ORANGE (N/O)
- 5 = WHITE (COMMON).



SPECIFICATIONS

RATED OPERATING DISTANCE	12mm = .472"
MOUNTING MODE	FLUSH
MIN. REPEAT ACCURACY	≤ 2%
TEMPERATURE DRIFT	≤ ±10% ≤ ±20%, ≤ -25°C
HYSTERESIS	3-15%
OPERATING TEMPERATURE	-40°C to +70°C (-40°F to +158°F)
RATED OPERATIONAL VOLTAGE	10-30 VDC
RESIDUAL RIPPLE	≤ 10%
RATED OPERATIONAL CURRENT (AC/DC)	≤ 6000 mA (AC)/≤ 6000 mA (DC)
RATED OUTPUT VOLTAGE (AC/DC)	≤ 28 VAC/≤ 30 VDC
OUTPUT LOAD	≤ 180 W
RESIDUAL CURRENT	≤ 0.1 mA
RATED INSULATION VOLTAGE	≤ 0.5 kV
SURGE CURRENT	≤ 8.0 A (≤ 10.0 ms MAX. 5 Hz)
SHORT-CIRCUIT PROTECTION	NO
MAX. VOLTAGE DROP	≤ 1.8 V
WIRE BREAKAGE PROTECTION	INCORPORATED
REVERSE POLARITY PROTECTION	INCORPORATED
OUTPUT FUNCTION	5-WIRE, COMPLIMENTARY, MOSFET OUTPUT
SMALLEST OPERATING CURRENT	≥ 40 mA
MAX. SWITCHING FREQUENCY	≤ 0.02 kHz
HOUSING MATERIAL	METAL, BRASS/CHROME-PLATED
ACTIVE FACE MATERIAL	PLASTIC, PA12-GF30
END CAP MATERIAL	PLASTIC, TROGAMID T
CABLE	∅7.2, PVC, 5x18 AWG
VIBRATION RESISTANCE	55 Hz, 1 mm AMPLITUDE (IN ALL 3 PLANES)
SHOCK RESISTANCE	30 g, 11 ms
DEGREE OF PROTECTION	IP67
SWITCHING STATUS INDICATION	LED, YELLOW



SOURCE DRAWING - FOR REFERENCE ONLY

NOTES:

1. "/S97" DESIGNATES LOW OPERATING TEMPERATURE RATING OF -40°C.
2. "/CS12954" DESIGNATES RS 4.5T CUSTOM PINOUT.  
 1 = RED (+)  
 2 = BLUE (N/C)  
 3 = BLACK (-)  
 4 = ORANGE (N/O)  
 5 = WHITE (COMMON).

RELATED DOCUMENTS 1. 2. 3. 4.	3RD ANGLE PROJECTION 	THIS DRAWING IS CONFIDENTIAL AND THE PROPERTY OF TURCK INC. USE OF THIS DOCUMENT WITHOUT WRITTEN PERMISSION IS PROHIBITED.		3000 CAMPUS DRIVE MINNEAPOLIS, MN 55441 1-800-544-7769 (763) 553-7300 (763) 553-0708 fax www.turck.us	
	MATERIAL	DRFT RDS	DATE 08/22/11	DESCRIPTION BI12-G30-VM6/37/S97-0.2-RSC4.5T/CS12954	
FINISH	ALL DIMENSIONS DISPLAYED ON THIS DRAWING ARE FOR REFERENCE ONLY	APVD	SCALE 1=1.5	IDENTIFICATION NO. 17112901	
CONTACT TURCK FOR MORE INFORMATION		UNIT OF MEASUREMENT <b>INCH [ MILLIMETER ]</b>		REV D	
DO NOT SCALE THIS DRAWING		FILE: 17112901		SHEET 1 OF 1	

D	UPDATE ID NUMBER PER HARMONIZATION PROJECT	CBM	12/20/17	
REV	DESCRIPTION	BY	DATE	ECO NO.