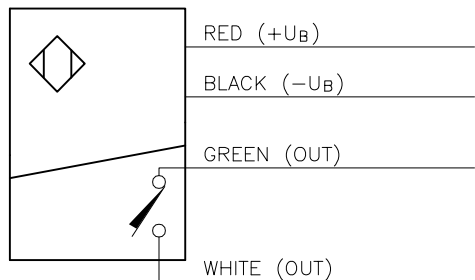


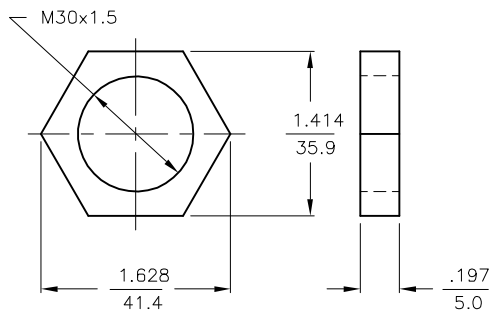
WIRING DIAGRAMS



OUTPUT: AM6

WARNING: NO SHORT-CIRCUIT PROTECTION

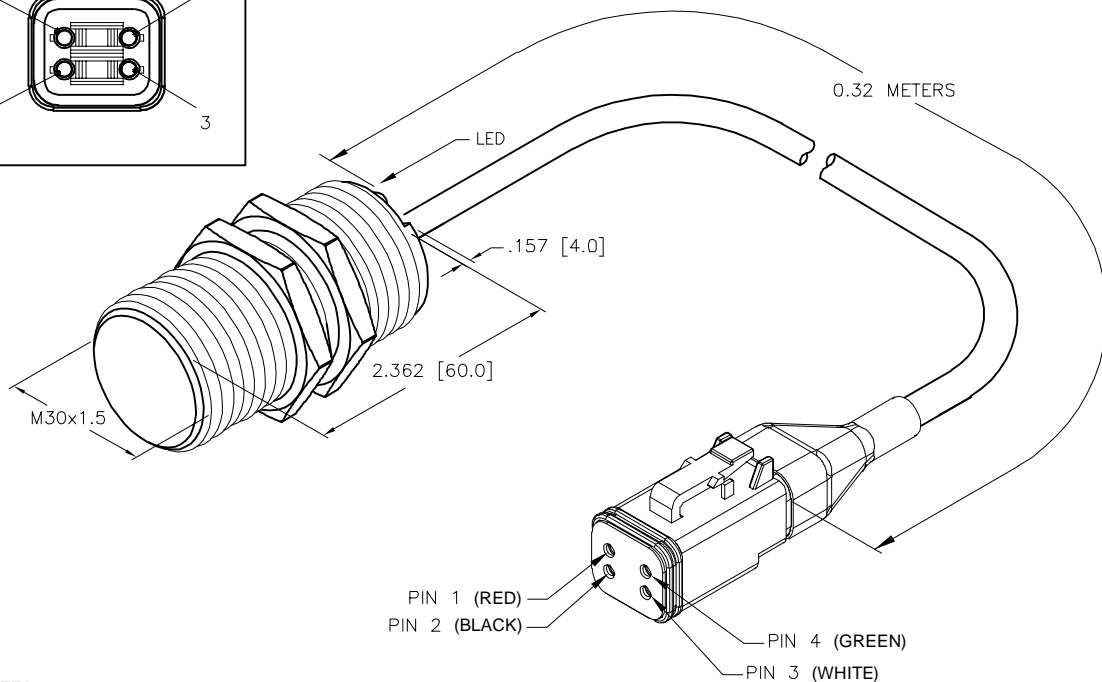
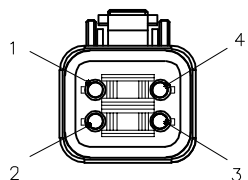
LOCKNUT LN-M30



SPECIFICATIONS

RATED OPERATING DISTANCE	12mm = .472"
MOUNTING MODE	FLUSH
MIN. REPEAT ACCURACY	≤ 2%
TEMPERATURE DRIFT	≤ ±10% ≤ ±20%, ≤ -25°C
HYSTERESIS	3-15%
OPERATING TEMPERATURE	-40°C to +70°C (-40°F to +158°F)
RATED OPERATIONAL VOLTAGE	10-30 VDC
RESIDUAL RIPPLE	≤ 10%
RATED OPERATIONAL CURRENT (AC/DC)	≤ 6000 mA (AC)/≤ 6000 mA (DC)
RATED OUTPUT VOLTAGE (AC/DC)	≤ 28 VAC/≤ 30 VDC
OUTPUT LOAD	≤ 180 W
RESIDUAL CURRENT	≤ 0.1 mA
RATED INSULATION VOLTAGE	≤ 0.5 kV
SURGE CURRENT	≤ 8.0 A (≤ 10.0 ms MAX. 5 Hz)
SHORT-CIRCUIT PROTECTION	NO
MAX. VOLTAGE DROP	≤ 1.8 V
WIRE BREAKAGE PROTECTION	INCORPORATED
REVERSE POLARITY PROTECTION	INCORPORATED
OUTPUT FUNCTION	2-WIRE, NORMALLY OPEN, POTENTIAL-FREE
SMALLEST OPERATING CURRENT	≥ 40 mA
MAX. SWITCHING FREQUENCY	≤ 0.02 kHz
HOUSING MATERIAL	METAL, BRASS/CHROME-PLATED
ACTIVE FACE MATERIAL	PLASTIC, PA12-GF30
END CAP MATERIAL	PLASTIC, TROGAMID T
CABLE	ø5.2, LiFY-T105, PVC
VIBRATION RESISTANCE	55 Hz, 1 mm AMPLITUDE (IN ALL 3 PLANES)
SHOCK RESISTANCE	30 g, 11 ms
DEGREE OF PROTECTION	IP67
SWITCHING STATUS INDICATION	LED, YELLOW

CONNECTOR END VIEW



NOTES:

- "/S97" DESIGNATES LOW OPERATING TEMPERATURE RATING OF -40°C.
- "/S1630" DESIGNATES SENSOR CUSTOM WIRED TO DEUTSCH CONNECTOR.

DEUTSCH CONNECTOR:

- (4) PINS - #46220116141
- (1) SOCKET - #W4S
- (1) PLUG - #DT06-4S
- (1) BOOT - DT-4S-BT

SOURCE DRAWING - FOR REFERENCE ONLY

RELATED DOCUMENTS		3RD ANGLE PROJECTION		THIS DRAWING IS CONFIDENTIAL AND THE PROPERTY OF TURCK INC. USE OF THIS DOCUMENT WITHOUT WRITTEN PERMISSION IS PROHIBITED.		<p>3000 CAMPUS DRIVE MINNEAPOLIS, MN 55441 1-800-544-7769 (763) 553-7300 (763) 553-0708 fax www.turck.us</p>	
1.			DRFT RDS APVD	DATE 03/10/11	DESCRIPTION		
2.				SCALE 1=1.5	B112-G30-AM6/37X/S97/S1630		
3.		ALL DIMENSIONS DISPLAYED ON THIS DRAWING ARE FOR REFERENCE ONLY	UNIT OF MEASUREMENT		IDENTIFICATION NO.	REV	
4.			INCH [MILLIMETER]		1711293	A	
MATERIAL		CONTACT TURCK FOR MORE INFORMATION	DO NOT SCALE THIS DRAWING		FILE: 1711293	SHEET 1 OF 1	
FINISH							

A	DRAWING RELEASE	RDS	03/10/11	
REV	DESCRIPTION	BY	DATE	ECO NO.