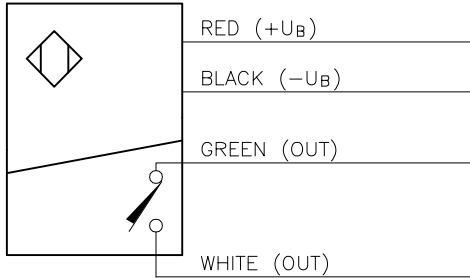


WIRING DIAGRAMS

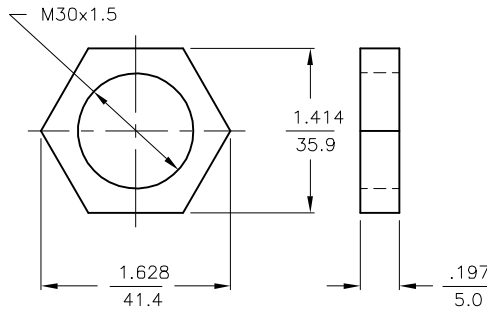
LOCKNUT LN-M30

SPECIFICATIONS



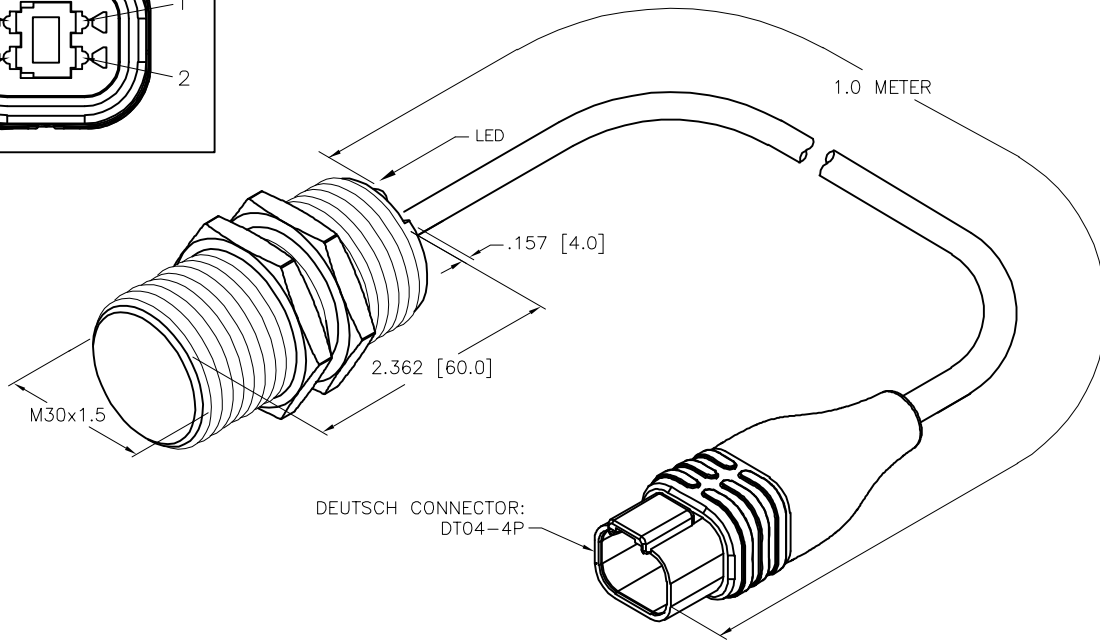
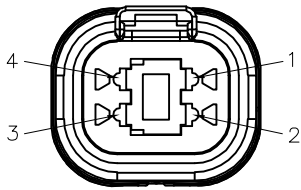
OUTPUT: AM6

WARNING: NO SHORT-CIRCUIT PROTECTION



RATED OPERATING DISTANCE	12mm = .472"
MOUNTING MODE	FLUSH
MIN. REPEAT ACCURACY	≤ 2%
TEMPERATURE DRIFT	≤ ±10% ≤ ±20%, ≤ -25°C
HYSTERESIS	3-15%
OPERATING TEMPERATURE	-40°C to +70°C (-40°F to +158°F)
RATED OPERATIONAL VOLTAGE	10-30 VDC
RESIDUAL RIPPLE	≤ 10%
RATED OPERATIONAL CURRENT (AC/DC)	≤ 6000 mA (AC)/≤ 6000 mA (DC)
RATED OUTPUT VOLTAGE (AC/DC)	≤ 28 VAC/≤ 30 VDC
OUTPUT LOAD	≤ 180 W
RESIDUAL CURRENT	≤ 0.1 mA
RATED INSULATION VOLTAGE	≤ 0.5 kV
SURGE CURRENT	≤ 8.0 A (≤ 10.0 ms MAX. 5 Hz)
SHORT-CIRCUIT PROTECTION	NO
MAX. VOLTAGE DROP	≤ 1.8 V
WIRE BREAKAGE PROTECTION	INCORPORATED
REVERSE POLARITY PROTECTION	INCORPORATED
OUTPUT FUNCTION	2-WIRE, NORMALLY OPEN, POTENTIAL-FREE
SMALLEST OPERATING CURRENT	≥ 40 mA
MAX. SWITCHING FREQUENCY	≤ 0.02 kHz
HOUSING MATERIAL	METAL, BRASS/CHROME-PLATED
ACTIVE FACE MATERIAL	PLASTIC, PA12-GF30
END CAP MATERIAL	PLASTIC, TROGAMID T
CABLE	ø5.2, LiFY-T105, PVC
VIBRATION RESISTANCE	55 Hz, 1 mm AMPLITUDE (IN ALL 3 PLANES)
SHOCK RESISTANCE	30 g, 11 ms
DEGREE OF PROTECTION	IP67
SWITCHING STATUS INDICATION	LED, YELLOW

CONNECTOR END VIEW



NOTES:

1. "/S97" DESIGNATES LOW OPERATING TEMPERATURE RATING OF -40°C.

PINOUTS:

- 1 = RED
- 2 = BLACK
- 3 = WHITE
- 4 = GREEN

DEUTSCH CONNECTOR: DT04-4P-CE02
WEDGE: W4P
PINS: 0460-202-16141

SOURCE DRAWING - FOR REFERENCE ONLY

RELATED DOCUMENTS 1. 2. 3. 4.	3RD ANGLE PROJECTION 	THIS DRAWING IS CONFIDENTIAL AND THE PROPERTY OF TURCK INC. USE OF THIS DOCUMENT WITHOUT WRITTEN PERMISSION IS PROHIBITED.		3000 CAMPUS DRIVE MINNEAPOLIS, MN 55441 1-800-544-7769 (763) 553-7300 (763) 553-0708 fax www.turck.us	
	MATERIAL	DRFT NF	DATE 02/14/18	DESCRIPTION BI12-G30-AM6/37X/S97-1-DT04-4PM4.5	
FINISH	ALL DIMENSIONS DISPLAYED ON THIS DRAWING ARE FOR REFERENCE ONLY	APVD A.F.	SCALE 1=1.5	IDENTIFICATION NO. 1711298	
CONTACT TURCK FOR MORE INFORMATION		UNIT OF MEASUREMENT INCH [MILLIMETER]		REV A	
DO NOT SCALE THIS DRAWING		FILE: 1711298		SHEET 1 OF 1	

A	DRAWING RELEASE	NF	05/23/18	
REV	DESCRIPTION	BY	DATE	ECO NO.