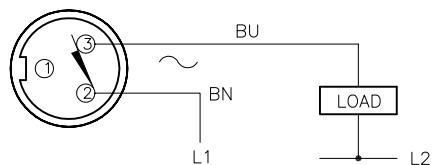
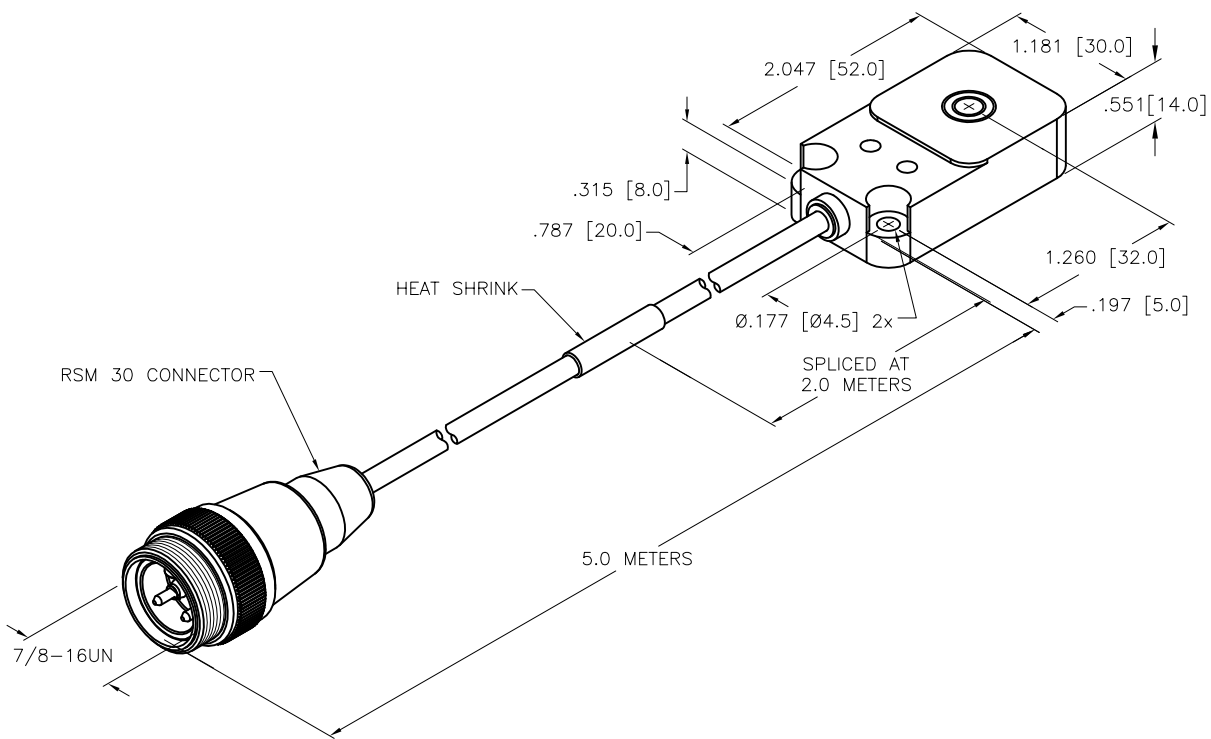


WIRING DIAGRAM



OUTPUT: RDZ32X2

SHORT-CIRCUIT AND OVERLOAD PROTECTED



SPECIFICATIONS

RATED OPERATING DISTANCE	10 mm = .394"
MOUNTING MODE	FLUSH
HYSTERESIS	3-15%
MIN. REPEAT ACCURACY	≤2% of RATED OPERATING DISTANCE
TEMPERATURE DRIFT	≤±10%
OPERATING TEMPERATURE	-25°C to +70°C (-13°F to +158°F)
OPERATING VOLTAGE	20-250 VAC, 10-300 VDC
RATED OPERATIONAL CURRENT (AC/DC)	≤ 100 mA
LINE FREQUENCY	50-60 Hz
RESIDUAL CURRENT	≤1.7 mA
MAX. SWITCHING FREQUENCY	≤0.02 kHz
RATED INSULATION VOLTAGE	≤1.5 kV
OUTPUT FUNCTION	2-WIRE, NORMALLY CLOSED
SHORT CIRCUIT PROTECTION	INCORPORATED
MAX. VOLTAGE DROP	≤6 V
WIRE-BREAK PROTECTION	INCORPORATED
REVERSE POLARITY PROTECTION	INCORPORATED
MIN. OPERATIONAL CURRENT	3 mA
HOUSING MATERIAL	PLASTIC, PBT-GF30-V0
ACTIVE FACE	PLASTIC, PBT-GF30-V0
CABLE/JACKET MATERIAL/LENGTH	Ø5.2, LifYY, PVC
VIBRATION RESISTANCE	55 Hz, (1mm) IN ALL 3 PLANES
SHOCK RESISTANCE	30 g, (11 ms)
DEGREE OF PROTECTION	IP67
SUPPLY VOLTAGE INDICATION	LED: GREEN
SWITCHING STATUS INDICATION	LED: RED

SOURCE DRAWING - FOR REFERENCE ONLY

RELATED DOCUMENTS 1. 2. 3. 4.	3RD ANGLE PROJECTION 	THIS DRAWING IS CONFIDENTIAL AND THE PROPERTY OF TURCK INC. USE OF THIS DOCUMENT WITHOUT WRITTEN PERMISSION IS PROHIBITED.		3000 CAMPUS DRIVE MINNEAPOLIS, MN 55441 1-800-544-7769 (763) 553-7300 (763) 553-0708 fax www.turck.us	
		MATERIAL SEE SPECS	FINISH	DRFT RDS APVD A.F.	DATE 01/08/13 SCALE 1=1.5
ALL DIMENSIONS DISPLAYED ON THIS DRAWING ARE FOR REFERENCE ONLY		UNIT OF MEASUREMENT INCH [MILLIMETER]		IDENTIFICATION NO. 4256283	
CONTACT TURCK FOR MORE INFORMATION		DO NOT SCALE THIS DRAWING		REV B	
B UPDATE ID NUMBER PER HARMONIZATION PROJECT	CBM 11/06/17	FILE: 4256283		SHEET 1 OF 1	
REV DESCRIPTION	BY DATE ECO NO.				

B	UPDATE ID NUMBER PER HARMONIZATION PROJECT	CBM	11/06/17	
REV	DESCRIPTION	BY	DATE	ECO NO.