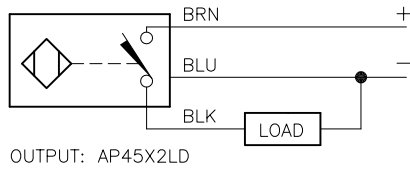


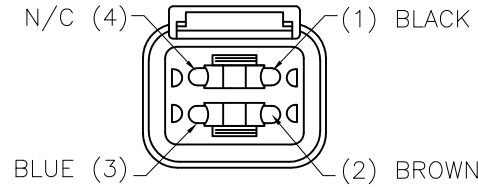
WIRING DIAGRAM



OUTPUT: AP45X2LD

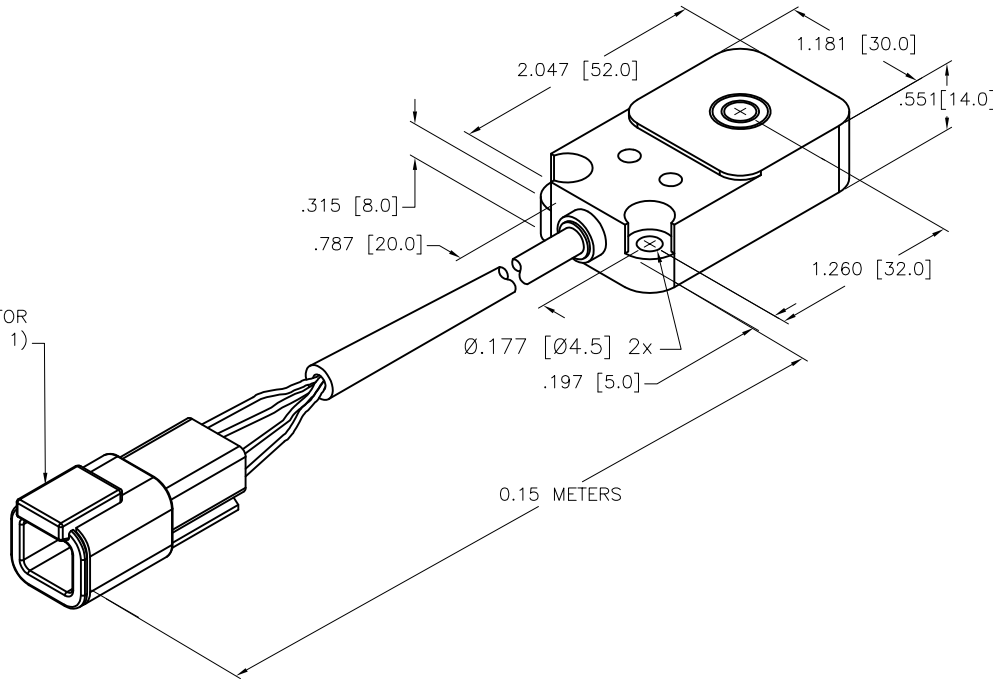
SHORT-CIRCUIT AND OVERLOAD PROTECTED

CONNECTOR END VIEW



SPECIFICATIONS

RATED OPERATING DISTANCE	10.0 mm [.394"]
MOUNTING MODE	FLUSH
TEMPERATURE DRIFT	≤ ±10% ≤ ±15%, ≤ -25°C V ≥ +70°C
HYSTERESIS	3-15%
MIN. REPEAT ACCURACY	≤ 2%
AMBIENT TEMPERATURE	-40°C to +85°C (-40°F to +185°F)
OPERATING VOLTAGE	8.4-65 VDC
RESIDUAL RIPPLE	≤ 10%
DC OPERATIONAL CURRENT	≤ 200 mA
NO-LOAD CURRENT	≤ 15 mA
RESIDUAL CURRENT	≤ 0.1 mA
RATED INSULATION VOLTAGE	≤ 0.5 kV
OUTPUT FUNCTION	3-WIRE, NORMALLY OPEN, PNP
SHORT-CIRCUIT PROTECTION	YES
MAX. VOLTAGE DROP	≤ 1.8 V
WIRE BREAKAGE PROTECTION	INCORPORATED
REVERSE POLARITY PROTECTION	INCORPORATED
LOAD DUMP PROTECTION	IV/LEVEL 4, din 40839 (SAE J 1113-11)
SWITCHING FREQUENCY	≤ 0.5 kHz
HOUSING MATERIAL	PLASTIC, PBT-GF30-V0
ACTIVE FACE MATERIAL	PLASTIC, PBT-GF30-V0
CONNECTION	CABLE
CABLE	∅5.2, 3x20 AWG, TPE
VIBRATION RESISTANCE	55 Hz (IN ALL 3 PLANES)
SHOCK RESISTANCE	150 g, 6 ms, (IN ALL 3 PLANES)
DEGREE OF PROTECTION	IP68/IP69K
SWITCHING STATUS INDICATION	LED/YELLOW
OPERATING VOLTAGE INDICATION	LED/GREEN
NOISE IMMUNITY	100 V/m RADIATED & 100 mA BCI



DEUTSCH CONNECTOR
(SEE NOTE 1)

NOTES:

1. "/CS12439" DESIGNATES 4-PIN DEUTSCH CONNECTOR ADDED. 150MM CABLE FROM SENSOR TO END OF CONNECTOR.
- DEUTSCH PARTS: # DT04-4P-CE02 (CONNECTOR)
W4P (WEDGE LOCK)
460-202-16141 (PIN TERMINAL)

PINOUT:

- 1 = BLACK
- 2 = BROWN
- 3 = BLUE
- 4 = N/C (PLUG)

SOURCE DRAWING - FOR REFERENCE ONLY

RELATED DOCUMENTS 1. 2. 3. 4.	3RD ANGLE PROJECTION 	THIS DRAWING IS CONFIDENTIAL AND THE PROPERTY OF TURCK INC. USE OF THIS DOCUMENT WITHOUT WRITTEN PERMISSION IS PROHIBITED.		3000 CAMPUS DRIVE MINNEAPOLIS, MN 55441 1-800-544-7769 (763) 553-7300 (763) 553-0708 fax www.turck.us		
	MATERIAL SEE SPECIFICATIONS	ALL DIMENSIONS DISPLAYED ON THIS DRAWING ARE FOR REFERENCE ONLY	DRFT	RDS	DATE 09/28/09	DESCRIPTION BI10-Q14-AP45X2LD/CS12439
			APVD		SCALE 1=1.3	
	FINISH SEE SPECIFICATIONS	CONTACT TURCK FOR MORE INFORMATION	UNIT OF MEASUREMENT INCH [MILLIMETER]		IDENTIFICATION NO. 1584097	REV B
DO NOT SCALE THIS DRAWING		FILE: 1584097		SHEET 1 OF 1		

B	UPDATE ID NUMBER PER HARMONIZATION PROJECT	CBM	11/06/17	
REV	DESCRIPTION	BY	DATE	ECO NO.