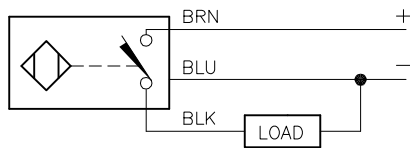


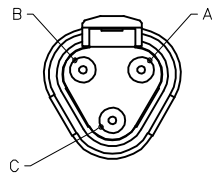
### WIRING DIAGRAM



OUTPUT: AP45X2LD

SHORT-CIRCUIT AND OVERLOAD PROTECTED

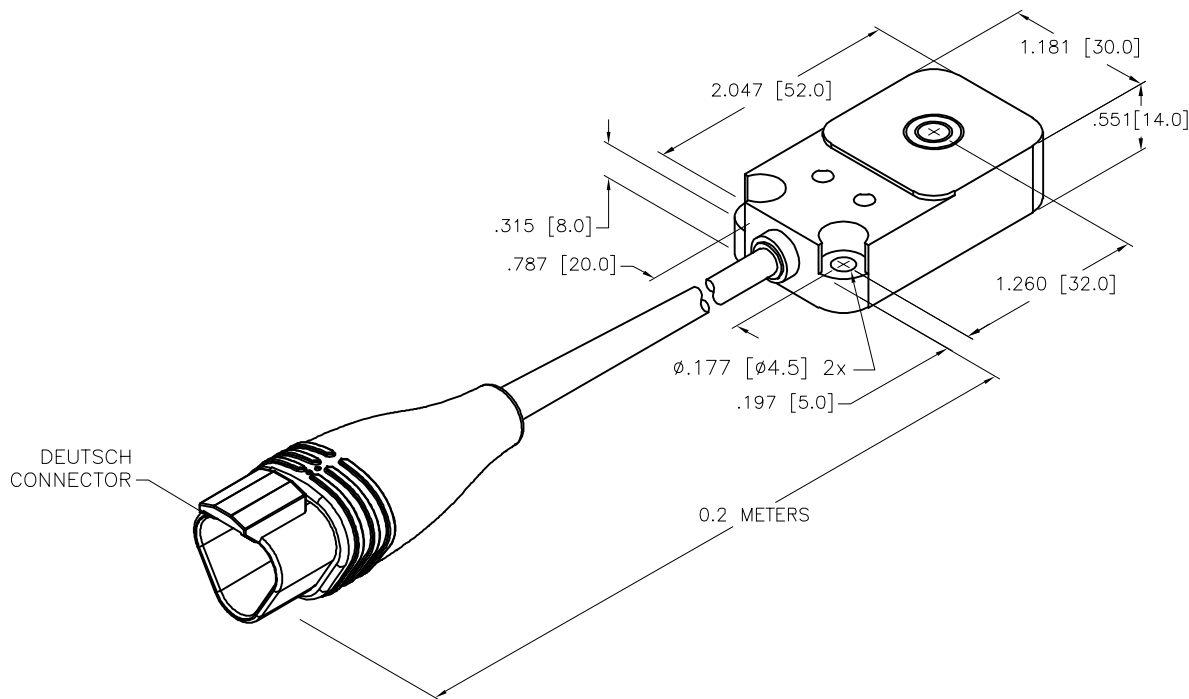
### MALE END VIEW



- 1 = BROWN
- 2 = BLUE
- 3 = BLACK

### SPECIFICATIONS

RATED OPERATING DISTANCE	10.0 mm [.394"]
MOUNTING MODE	FLUSH
TEMPERATURE DRIFT	≤ ±10% ≤ ±15%, ≤ -25°C V ≥ +70°C
HYSTERESIS	3-15%
MIN. REPEAT ACCURACY	≤ 2%
AMBIENT TEMPERATURE	-40°C to +85°C (-40°F to +185°F)
OPERATING VOLTAGE	8.4-65 VDC
RESIDUAL RIPPLE	≤ 10%
DC OPERATIONAL CURRENT	≤ 200 mA
NO-LOAD CURRENT	≤ 15 mA
RESIDUAL CURRENT	≤ 0.1 mA
RATED INSULATION VOLTAGE	≤ 0.5 kV
OUTPUT FUNCTION	3-WIRE, NORMALLY OPEN, PNP
SHORT-CIRCUIT PROTECTION	YES
MAX. VOLTAGE DROP	≤ 1.8 V
WIRE BREAKAGE PROTECTION	INCORPORATED
REVERSE POLARITY PROTECTION	INCORPORATED
LOAD DUMP PROTECTION	IV/LEVEL 4, din 40839 (SAE J 1113-11)
SWITCHING FREQUENCY	≤ 0.5 kHz
HOUSING MATERIAL	PLASTIC, PBT-GF30-V0
ACTIVE FACE MATERIAL	PLASTIC, PBT-GF30-V0
CONNECTION	CABLE
CABLE	Ø5.3, 3x20 AWG, TPE
VIBRATION RESISTANCE	55 Hz (IN ALL 3 PLANES)
SHOCK RESISTANCE	150 g, 6 ms, (IN ALL 3 PLANES)
DEGREE OF PROTECTION	IP68/IP69K (SENSOR ONLY)
SWITCHING STATUS INDICATION	LED/YELLOW
OPERATING VOLTAGE INDICATION	LED/GREEN
NOISE IMMUNITY	100 V/m RADIATED & 100 mA BCI




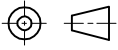
#### NOTES:

- DEUTSCH PARTS: DT04-3P-CE02 (CONNECTOR)  
W3P (WEDGE)  
0460-202-16141 (PIN)

#### PINOUT:

- 1 = BROWN
- 2 = BLUE
- 3 = BLACK

#### SOURCE DRAWING - FOR REFERENCE ONLY

RELATED DOCUMENTS	3RD ANGLE PROJECTION	THIS DRAWING IS CONFIDENTIAL AND THE PROPERTY OF TURCK INC. USE OF THIS DOCUMENT WITHOUT WRITTEN PERMISSION IS PROHIBITED.		 3000 CAMPUS DRIVE MINNEAPOLIS, MN 55441 1-800-544-7769 (763) 553-7300 (763) 553-0708 fax www.turck.us	
1.		DRFT	NF	DATE	06/22/23
2.		APVD	A.F.	SCALE	1=1.3
3.	ALL DIMENSIONS DISPLAYED ON THIS DRAWING ARE FOR REFERENCE ONLY	UNIT OF MEASUREMENT		DESCRIPTION	
4.		<b>INCH [ MILLIMETER ]</b>		BI10-Q14-AP45X2LD-0.2-DT04-3PM3	
MATERIAL	CONTACT TURCK FOR MORE INFORMATION	IDENTIFICATION NO.		REV	
SEE SPECIFICATIONS		200005445		A	
FINISH	DO NOT SCALE THIS DRAWING	FILE: 200005445		SHEET 1 OF 1	
SEE SPECIFICATIONS					

A	DRAWING RELEASE	NF	06/22/23	
REV	DESCRIPTION	BY	DATE	ECO NO.