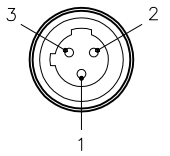


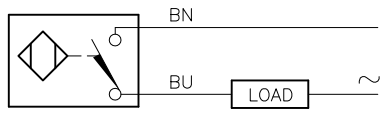
MALE END VIEW



- 1 = N/C
- 2 = BROWN
- 3 = BLUE



WIRING DIAGRAM

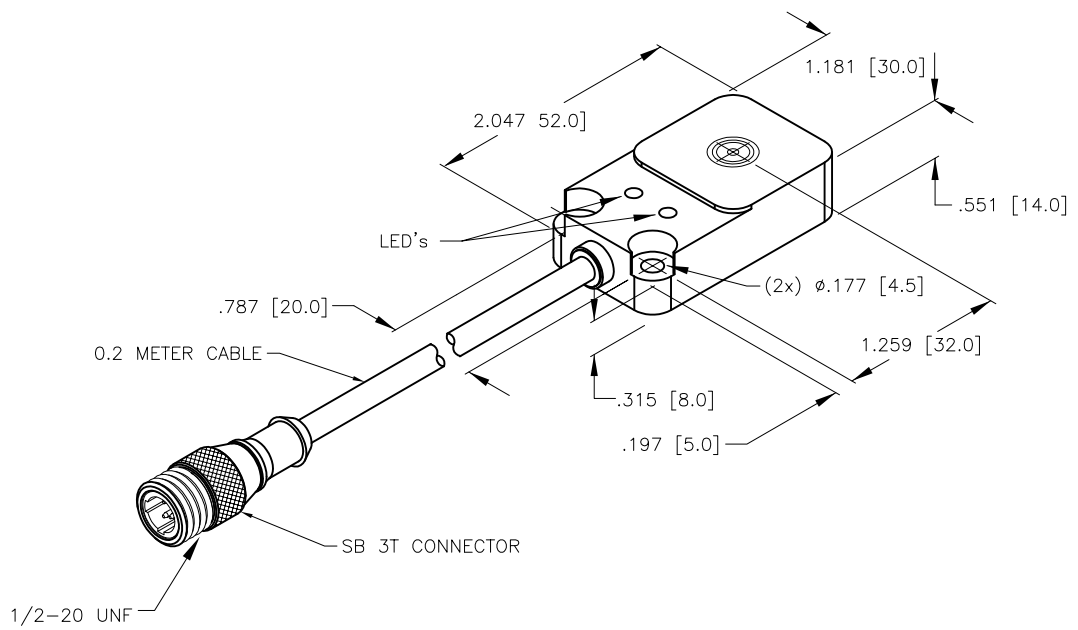


OUTPUT: ADZ32X2

SHORT-CIRCUIT AND OVERLOAD PROTECTED

SPECIFICATIONS

RATED OPERATING DISTANCE	10 mm = .394" (NOMINAL)
MOUNTING MODE	FLUSH
TEMPERATURE DRIFT	≤±10%
DIFFERENTIAL TRAVEL (HYSTERESIS)	3-15%
MIN. REPEAT ACCURACY	≤2% of RATED OPERATING DISTANCE
OPERATING TEMPERATURE	-25°C to +70°C (-13°F to +158°F)
OPERATING VOLTAGE	20-250 VAC, 10-300 VDC
RATED OPERATIONAL CURRENT (AC/DC)	≤ 100 mA
LINE FREQUENCY	50-60 Hz
MAX. OFF-STATE CURRENT	≤1.7 mA
MAX. SWITCHING FREQUENCY	≤0.02 kHz
RATED INSULATION VOLTAGE	≤1.5 kV
SURGE CURRENT	≤1.0 A
OUTPUT FUNCTION	2-WIRE, NORMALLY OPEN
SHORT CIRCUIT PROTECTION	INCORPORATED
MAX. VOLTAGE DROP	≤6 V
WIRE-BREAK PROTECTION	INCORPORATED
REVERSE POLARITY PROTECTION	INCORPORATED
MIN. OPERATIONAL CURRENT	≥ 3mA
HOUSING MATERIAL	PLASTIC, PBT-GF30-V0
ACTIVE FACE	PLASTIC, PBT-GF30-V0
CABLE/JACKET MATERIAL/LENGTH	ø5.2, LifyY, PVC, 0.3 METERS
VIBRATION RESISTANCE	55 Hz, (1mm) IN ALL 3 PLANES
SHOCK RESISTANCE	30 g, (11 ms)
DEGREE OF PROTECTION	IP67
SUPPLY VOLTAGE INDICATION	LED: GREEN
SWITCHING STATUS INDICATION	LED: RED



SOURCE DRAWING - FOR REFERENCE ONLY

RELATED DOCUMENTS	
1. 2. 3. 4.	
MATERIAL	PLASTIC PBT-GF30-V0
FINISH	

3RD ANGLE PROJECTION	
ALL DIMENSIONS DISPLAYED ON THIS DRAWING ARE FOR REFERENCE ONLY	
CONTACT TURCK FOR MORE INFORMATION	

THIS DRAWING IS CONFIDENTIAL AND THE PROPERTY OF TURCK INC. USE OF THIS DOCUMENT WITHOUT WRITTEN PERMISSION IS PROHIBITED.	
DRFT	RDS
APVD	
UNIT OF MEASUREMENT	
INCH [MILLIMETER]	
DO NOT SCALE THIS DRAWING	

3000 CAMPUS DRIVE MINNEAPOLIS, MN 55441 1-800-544-7769 (763) 553-7300 (763) 553-0708 fax www.turck.us	
TURCK	
DATE	04/15/05
SCALE	1=1.5
DESCRIPTION BI10-Q14-ADZ32X2-0.2M-SB3T/S34	
IDENTIFICATION NO.	4256294
REV	D
FILE: 4256294	SHEET 1 OF 1

D	UPDATE ID NUMBER PER HARMONIZATION PROJECT	CBM	11/06/17	
REV	DESCRIPTION	BY	DATE	ECO NO.