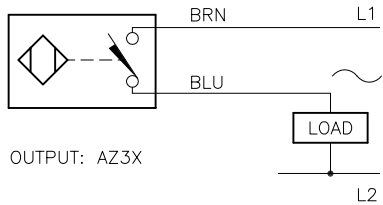
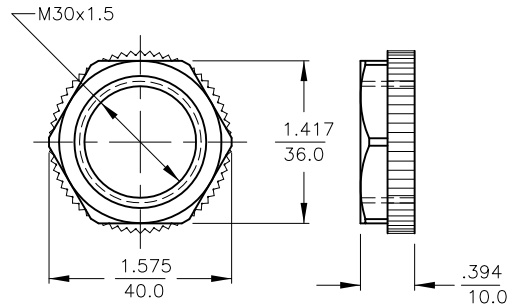


WIRING DIAGRAMS



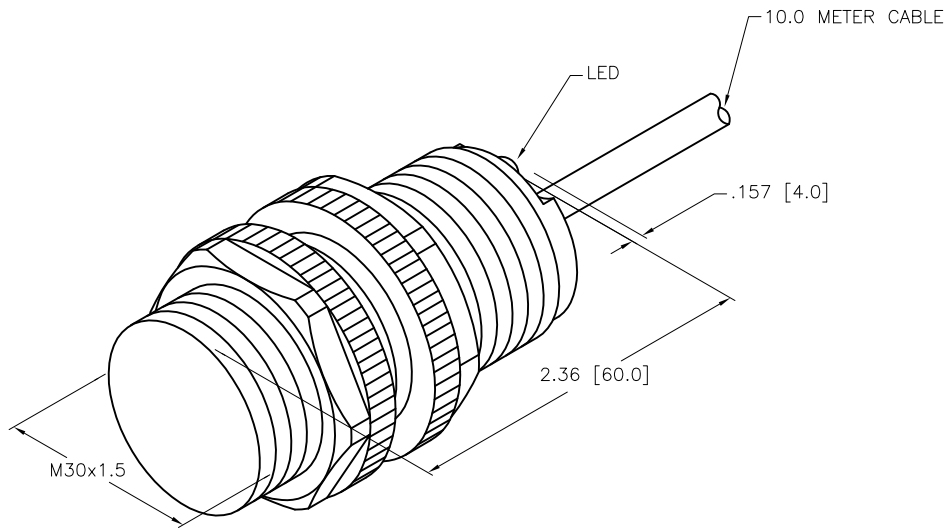
WARNING: NO SHORT-CIRCUIT PROTECTION
ALWAYS WIRE A LOAD IN SERIES WITH THE SENSOR.

LOCKNUT LN-P30



SPECIFICATIONS

RATED OPERATING DISTANCE	10mm = .394" (NOMINAL)
MOUNTING MODE	FLUSH
REPEATABILITY	RATED OPERATING DISTANCE
HYSTERESIS	3-15%
AMBIENT TEMPERATURE	-25°C to +70°C (-13°F to +158°F)
OPERATING VOLTAGE	20-250 VDC/DC
CONTINUOUS LOAD CURRENT	≤ 500 mA
LINE FREQUENCY	40-60 Hz
RESIDUAL CURRENT	≤ 1.7 mA
PROTECTION AGAINST TRANSIENTS	5 kV, 10 ms, 10 kΩ
MIN. OPERATING CURRENT	≥ 5.0 mA
INRUSH CURRENT	≤ 8 A (≤ 10 ms/5 Hz)
MAX. VOLTAGE DROP	≤ 7.0 V
OUTPUT FUNCTION	NORMALLY OPEN, 2-WIRE, AC, SELF-CONTAINED
SHORT-CIRCUIT PROTECTION	NO
TIME DELAY BEFORE AVAILABILITY	≤ 20 ms
POWER-ON EFFECT PROTECTION	INCORPORATED
SWITCHING FREQUENCY	≤ 0.02 kHz
VIBRATION RESISTANCE	55 Hz (IN ALL 3 PLANES)
SHOCK RESISTANCE	30 g, 11 ms
PROTECTION DEGREE	IP67
SWITCHING STATUS INDICATION	LED; RED



SOURCE DRAWING - FOR REFERENCE ONLY

RELATED DOCUMENTS		3RD ANGLE PROJECTION		THIS DRAWING IS CONFIDENTIAL AND THE PROPERTY OF TURCK INC. USE OF THIS DOCUMENT WITHOUT WRITTEN PERMISSION IS PROHIBITED.		3000 CAMPUS DRIVE MINNEAPOLIS, MN 55441 1-800-544-7769 (763) 553-7300 (763) 553-0708 fax www.turck.us	
1. 2. 3. 4.							
MATERIAL PA 12-GF30 PLASTIC BARREL		DRFT RDS		DATE 05/06/15		DESCRIPTION BI10-P30-AZ3X 10M	
FINISH		APVD A.F.		SCALE 1=1.3		IDENTIFICATION NO. 4374999	
		ALL DIMENSIONS DISPLAYED ON THIS DRAWING ARE FOR REFERENCE ONLY		UNIT OF MEASUREMENT INCH [MILLIMETER]		REV B	
CONTACT TURCK FOR MORE INFORMATION		DO NOT SCALE THIS DRAWING		FILE: 4374999		SHEET 1 OF 1	

B	UPDATE ID NUMBER PER HARMONIZATION PROJECT	CBM	11/06/17	
REV	DESCRIPTION	BY	DATE	ECO NO.