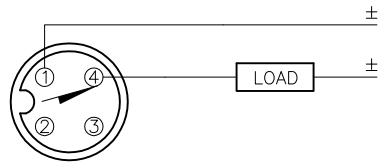


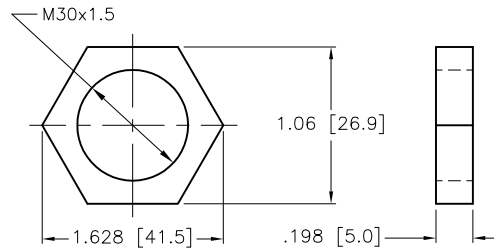
WIRING DIAGRAM



OUTPUT: AD4X

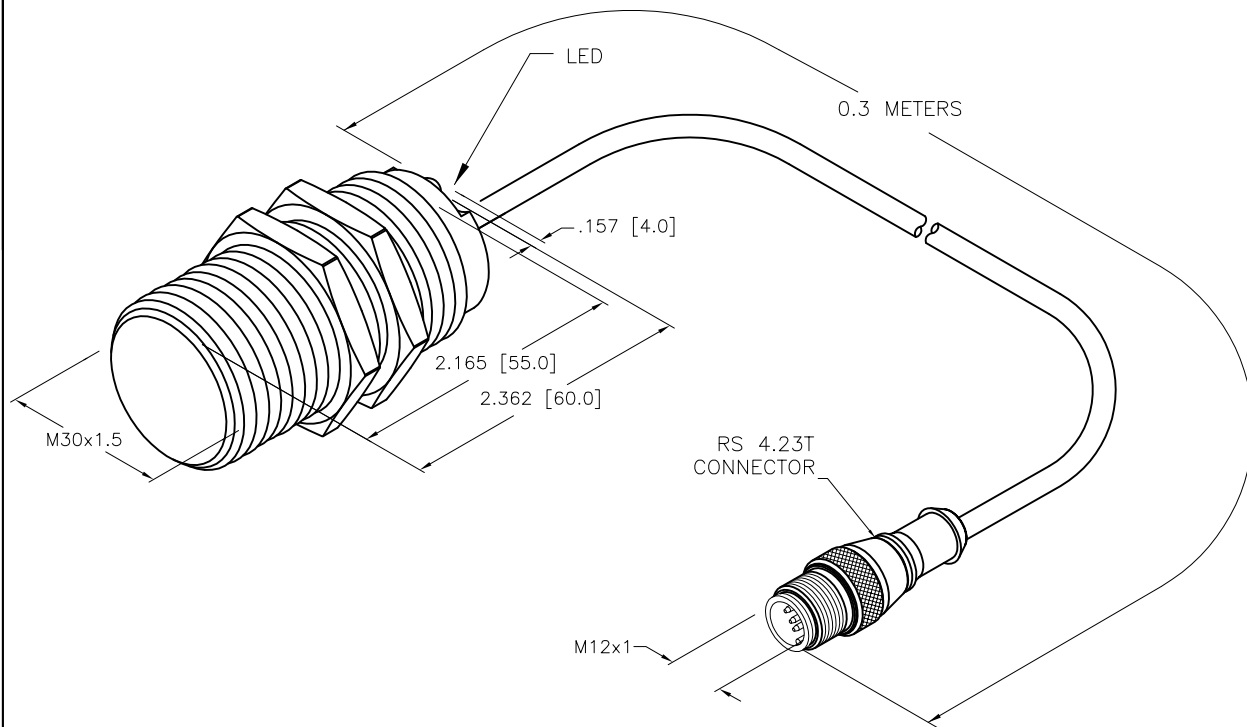
SHORT-CIRCUIT AND OVERLOAD PROTECTED

LOCKNUT LN-M30



SPECIFICATIONS

| | |
|-----------------------------|---|
| RATED OPERATING DISTANCE | 10mm [.394"] |
| MOUNTING MODE | FLUSH |
| HYSTERESIS | 1-15% |
| MIN. REPEAT ACCURACY | ≤ 2% |
| TEMPERATURE DRIFT | ≤ ± 10% |
| OPERATING TEMPERATURE | -25°C to +70°C (-13°F to +158°F) |
| RATED OPERATIONAL VOLTAGE | 10-65 VDC |
| RESIDUAL RIPPLE | ≤ 10% |
| RATED OPERATIONAL CURRENT | ≤ 100 mA |
| RESIDUAL CURRENT | ≤ 0.6 mA |
| RATED INSULATION VOLTAGE | ≤ 0.5 kV |
| SHORT-CIRCUIT PROTECTED | YES |
| SMALLEST OPERATING CURRENT | ≥ 2.0 mA |
| MAX. VOLTAGE DROP | ≤ 5.0 V |
| OUTPUT FUNCTION | 2-WIRE, NORMALLY OPEN |
| MAX. SWITCHING FREQUENCY | ≤ 0.5 kHz |
| HOUSING MATERIAL/PLATING | BRASS/CHROME |
| ACTIVE FACE MATERIAL | PLASTIC, PA12-GF30 |
| END CAP MATERIAL | PLASTIC, EPTR |
| CABLE | 5.2 DIA., PVC |
| SHOCK RESISTANCE | 30 g, 11 ms |
| VIBRATION RESISTANCE | 55 Hz, 1 mm AMPLITUDE (IN ALL 3 PLANES) |
| DEGREE OF PROTECTION | IP67 |
| SWITCHING STATUS INDICATION | LED, YELLOW |



SOURCE DRAWING - FOR REFERENCE ONLY

| | | | | | |
|---|------------------------------------|--|---|--|-------------------------------|
| RELATED DOCUMENTS 1. 2. 3. 4. | 3RD ANGLE PROJECTION | THIS DRAWING IS CONFIDENTIAL AND THE PROPERTY OF TURCK INC. USE OF THIS DOCUMENT WITHOUT WRITTEN PERMISSION IS PROHIBITED. | | 3000 CAMPUS DRIVE MINNEAPOLIS, MN 55441 1-800-544-7769 (763) 553-7300 (763) 553-0708 fax www.turck.us | |
| | MATERIAL | ALL DIMENSIONS DISPLAYED ON THIS DRAWING ARE FOR REFERENCE ONLY | DRFT KMY DATE 03/12/12 | DESCRIPTION BI10-M30-AD4X-0.3M-RS4.23T | |
| FINISH | CONTACT TURCK FOR MORE INFORMATION | APVD SCALE 1=1.3 | UNIT OF MEASUREMENT INCH [MILLIMETER] | | IDENTIFICATION NO. 4417089 |
| B UPDATE ID NUMBER PER HARMONIZATION PROJECT REV DESCRIPTION | CBM 11/06/17 BY DATE ECO NO. | DO NOT SCALE THIS DRAWING | | FILE: 4417089 | SHEET 1 OF 1 |

| | | | | |
|-----|--|-----|----------|---------|
| B | UPDATE ID NUMBER PER HARMONIZATION PROJECT | CBM | 11/06/17 | |
| REV | DESCRIPTION | BY | DATE | ECO NO. |