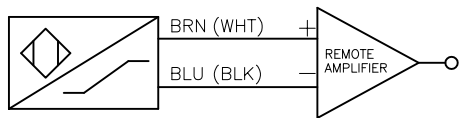
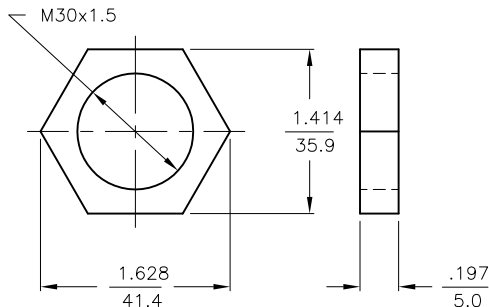


WIRING DIAGRAM

LOCKNUT LN-M30

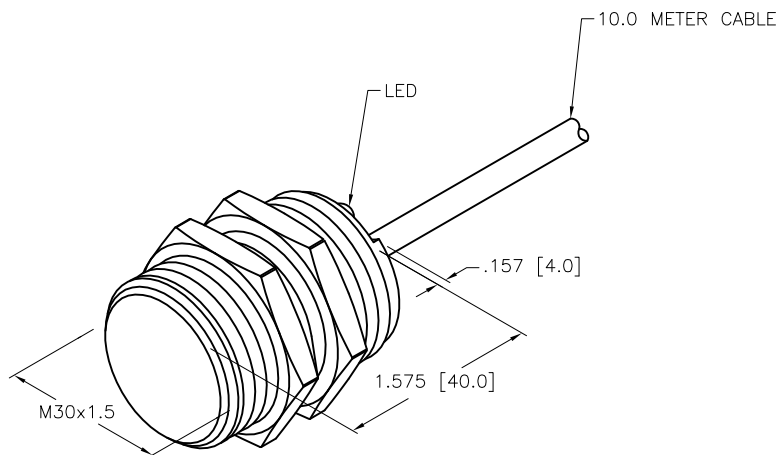


OUTPUT: Y0



SPECIFICATIONS

RATED OPERATING DISTANCE	10 mm [0.394]
MOUNTING MODE	FLUSH
HYSTERESIS	1-10%
MIN. REPEAT ACCURACY	≤2%
TEMPERATURE DRIFT	≤ ±10%
OPERATING TEMPERATURE	-40°C to +70°C (-40°F to +158°F)
OUTPUT FUNCTION	2-WIRE, NAMUR
MAX. SWITCHING FREQUENCY	≤0.5 kHz
OPERATING VOLTAGE	8.2 VDC
NON-ACTUATED CURRENT CONSUMPTION	≥ 2.1 mA
ACTUATED CURRENT CONSUMPTION	≤ 1.2 mA
HOUSING MATERIAL	BRASS/CHROME-PLATED
ACTIVE FACE MATERIAL	PLASTIC, PA12-GF30
END CAP MATERIAL	PLASTIC, TROGAMID-T
CABLE	∅5.2mm OD, SILICONE
VIBRATION RESISTANCE	55 Hz, 1 mm AMPLITUDE (IN ALL 3 PLANES)
SHOCK RESISTANCE	30 g, 11 ms
DEGREE OF PROTECTION	IP 67
SWITCHING STATUS INDICATION	LED; YELLOW



SOURCE DRAWING - FOR REFERENCE ONLY

NOTES:

1. "/S97" DESIGNATES LOW OPERATING TEMPERATURE RATING OF -40°C.

RELATED DOCUMENTS 1. 2. 3. 4.	3RD ANGLE PROJECTION 	THIS DRAWING IS CONFIDENTIAL AND THE PROPERTY OF TURCK INC. USE OF THIS DOCUMENT WITHOUT WRITTEN PERMISSION IS PROHIBITED.		3000 CAMPUS DRIVE MINNEAPOLIS, MN 55441 1-800-544-7769 (763) 553-7300 (763) 553-0708 fax www.turck.us	
	MATERIAL SEE SPECIFICATIONS	DRFT RDS APVD J.M.	DATE 03/21/12 SCALE 1=1.3	DESCRIPTION BI10-G30-Y0X/S97 10M	
FINISH SEE SPECIFICATIONS	ALL DIMENSIONS DISPLAYED ON THIS DRAWING ARE FOR REFERENCE ONLY	UNIT OF MEASUREMENT <b>INCH [ MILLIMETER ]</b>		IDENTIFICATION NO. 40200950	REV D
D UPDATE ID NUMBER PER HARMONIZATION PROJECT	CBM 11/06/17	DO NOT SCALE THIS DRAWING		FILE: 40200950	SHEET 1 OF 1
REV DESCRIPTION	BY DATE ECO NO.				