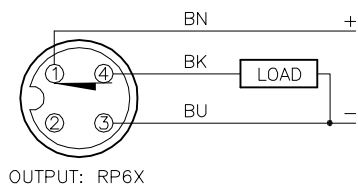
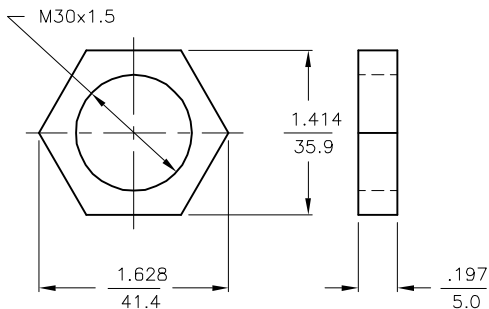


WIRING DIAGRAMS



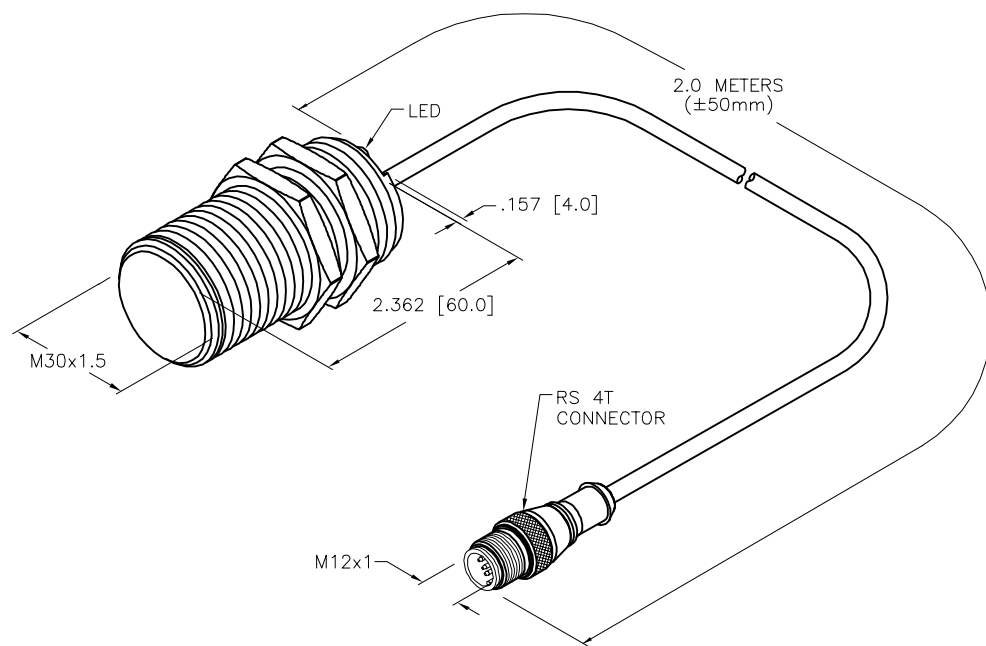
SHORT-CIRCUIT AND OVERLOAD PROTECTED

LOCKNUT LN-M30


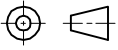


SPECIFICATIONS

| | |
|------------------------------|---|
| RATED OPERATING DISTANCE | 10mm = .394" |
| MOUNTING MODE | FLUSH |
| MIN. REPEAT ACCURACY | ≤ 2% |
| TEMPERATURE DRIFT | ≤ ±10% ≤ ±15%, ≤ -25°C v ≥ +70°C |
| HYSTERESIS | 3-15% |
| OPERATING TEMPERATURE | -25°C to +70°C (-13°F to +158°F) |
| RATED OPERATIONAL VOLTAGE | 10-30 VDC |
| RESIDUAL RIPPLE | ≤ 10% |
| DC RATED OPERATIONAL CURRENT | ≤ 200 mA |
| NO-LOAD CURRENT | ≤ 15 mA |
| RESIDUAL CURRENT | ≤ 0.1 mA |
| RATED INSULATION VOLTAGE | ≤ 0.5 kV |
| SHORT-CIRCUIT PROTECTION | YES |
| MAX. VOLTAGE DROP | ≤ 1.8 V |
| WIRE BREAKAGE PROTECTION | INCORPORATED |
| REVERSE POLARITY PROTECTION | INCORPORATED |
| OUTPUT FUNCTION | 3-WIRE, NORMALLY CLOSED, PNP |
| MAX. SWITCHING FREQUENCY | ≤ 0.5 kHz |
| HOUSING MATERIAL | METAL, BRASS/CHROME-PLATED |
| ACTIVE FACE MATERIAL | PLASTIC, PA12-GF30 |
| END CAP MATERIAL | PLASTIC, EPTR |
| CABLE | ∅5.3, PVC |
| VIBRATION RESISTANCE | 55 Hz, 1 mm AMPLITUDE (IN ALL 3 PLANES) |
| SHOCK RESISTANCE | 30 g, 11 ms |
| DEGREE OF PROTECTION | IP67 |
| SWITCHING STATUS INDICATION | LED, YELLOW |



SOURCE DRAWING - FOR REFERENCE ONLY

| | | | | | | | |
|-------------------|--|---|---------------------|--|--------------------|---|-------------------------------------|
| RELATED DOCUMENTS | | 3RD ANGLE PROJECTION | | THIS DRAWING IS CONFIDENTIAL AND THE PROPERTY OF TURCK INC. USE OF THIS DOCUMENT WITHOUT WRITTEN PERMISSION IS PROHIBITED. | |  3000 CAMPUS DRIVE MINNEAPOLIS, MN 55441 1-800-544-7769 (763) 553-7300 (763) 553-0708 fax www.turck.us | |
| 1. | |  | DRFT | RDS | DATE | 04/20/15 | DESCRIPTION BI10-G30-RP6X-2-RS4T |
| 2. | | | APVD | A.F. | SCALE | 1=1.8 | |
| 3. | | ALL DIMENSIONS DISPLAYED ON THIS DRAWING ARE FOR REFERENCE ONLY CONTACT TURCK FOR MORE INFORMATION | UNIT OF MEASUREMENT | | IDENTIFICATION NO. | | REV |
| 4. | | | INCH [MILLIMETER] | | 43457000 | | C |
| MATERIAL | | DO NOT SCALE THIS DRAWING | | FILE: 43457000 | | SHEET 1 OF 1 | |
| FINISH | | | | | | | |

| | | | | |
|-----|--|----|----------|---------|
| C | UPDATE BARREL LENGTH AND FACE MATERIAL | TR | 10/01/21 | 77094 |
| REV | DESCRIPTION | BY | DATE | ECO NO. |