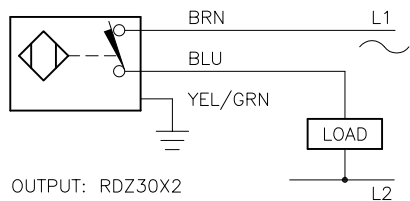


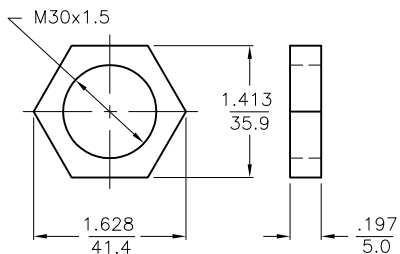
WIRING DIAGRAM

LOCKNUT LN-M30



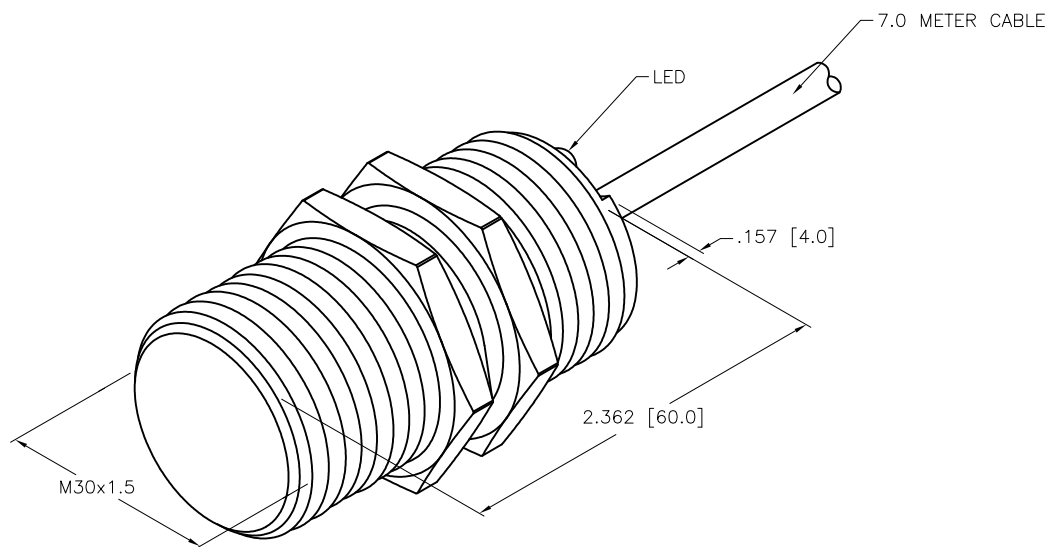
OUTPUT: RDZ30X2

SHORT-CIRCUIT AND OVERLOAD PROTECTED


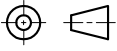


SPECIFICATIONS

RATED OPERATING DISTANCE	10mm = .394"
MOUNTING MODE	FLUSH
REPEATABILITY	≤ 2%
HYSTERESIS	3-15%
AMBIENT TEMPERATURE	-25°C to +70°C (-13°F to +158°F)
OPERATING VOLTAGE	20-250 VAC/10-300 VDC
RATED OPERATIONAL CURRENT (AC/DC)	≤400 mA/≤300 mA
MAINS FREQUENCY	50-60 Hz
RESIDUAL CURRENT	≤ 1.7 mA
RATED INSULATION VOLTAGE	≤ 1.5 kV
SURGE CURRENT	≤ 3.0 A (≤ 20 ms Max. 5 Hz)
SHORT-CIRCUIT PROTECTION	YES
MAX. VOLTAGE DROP	≤ 6.0 V
WIRE BREAK PROTECTION	INCORPORATED
REVERSE POLARITY PROTECTION	INCORPORATED
OUTPUT FUNCTION	2-WIRE, NORMALLY CLOSED
SMALLEST OPERATING CURRENT	≥ 3.0 mA
SWITCHING FREQUENCY	≤ 0.02 kHz
HOUSING MATERIAL	BRASS/CHROME-PLATED
ACTIVE FACE MATERIAL	PLASTIC, PA 12
END CAP MATERIAL	PLASTIC, EPTR
CABLE	ø5.2, PVC
VIBRATION RESISTANCE	55 Hz (IN ALL 3 PLANES)
SHOCK RESISTANCE	30 g, 11 ms
PROTECTION DEGREE	IP67
SWITCHING STATUS INDICATION	LED; RED



SOURCE DRAWING - FOR REFERENCE ONLY

RELATED DOCUMENTS		3RD ANGLE PROJECTION		THIS DRAWING IS CONFIDENTIAL AND THE PROPERTY OF TURCK INC. USE OF THIS DOCUMENT WITHOUT WRITTEN PERMISSION IS PROHIBITED.		 3000 CAMPUS DRIVE MINNEAPOLIS, MN 55441 1-800-544-7769 (763) 553-7300 (763) 553-0708 fax www.turck.us	
1.			DRFT	RDS	DATE	01/31/14	DESCRIPTION BI10-G30-RDZ30X2 7M
2.			APVD	A.F.	SCALE	1=1.0	
3.		ALL DIMENSIONS DISPLAYED ON THIS DRAWING ARE FOR REFERENCE ONLY	UNIT OF MEASUREMENT		IDENTIFICATION NO.		REV
4.			INCH [MILLIMETER]		42071000		B
MATERIAL SEE SPECS		CONTACT TURCK FOR MORE INFORMATION	DO NOT SCALE THIS DRAWING		FILE: 42071000		SHEET 1 OF 1
FINISH SEE SPECS							
B	UPDATE ID NUMBER PER HARMONIZATION PROJECT	CBM	12/20/17				
REV	DESCRIPTION	BY	DATE	ECO NO.			

B	UPDATE ID NUMBER PER HARMONIZATION PROJECT	CBM	12/20/17				
REV	DESCRIPTION	BY	DATE	ECO NO.			