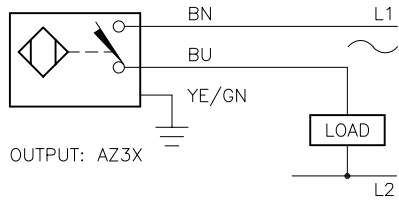
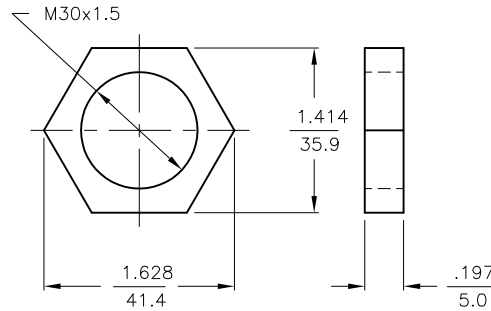


WIRING DIAGRAM



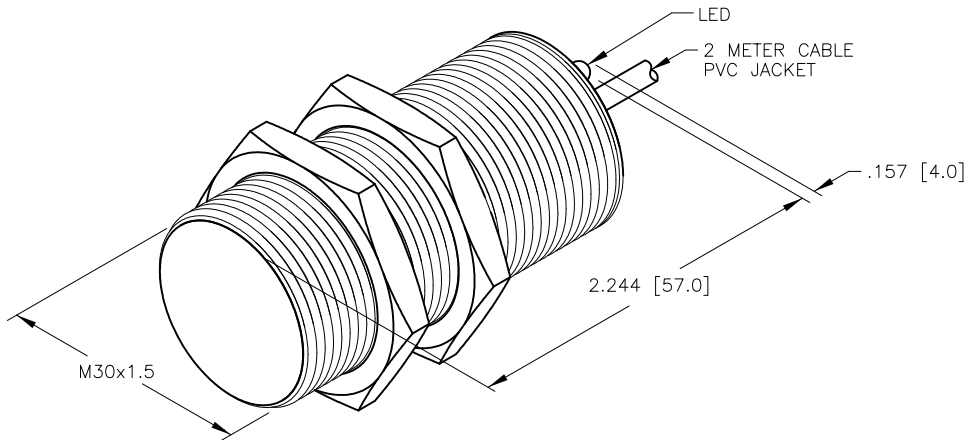
WARNING: NO SHORT-CIRCUIT PROTECTION.
ALWAYS WIRE A LOAD IN SERIES WITH THE SENSOR.

LOCKNUT LN-M30



SPECIFICATIONS

RATED OPERATING DISTANCE	10 mm [0.393"]
MOUNTING MODE	FLUSH
DIFFERENTIAL TRAVEL (HYSTERESIS)	3-15%
MIN. REPEAT ACCURACY	≤ 2%
MAX. TEMPERTURE DRIFT	≤ ±10%
OPERATING TEMPERATURE	-25°C to +70°C (-13°F to +158°F)
RATED OPERATIONAL VOLTAGE	20-250 VAC/10-300 VDC
RATED OPERATIONAL CURRENT	≤ 400 mA (AC)/≤ 300 MA (DC)
LINE FREQUENCY	50-60 Hz
MAX. OFF-STATE (LEAKAGE) CURRENT	≤ 1.7 mA
RATED INSULATION VOLTAGE	≤ 1.5 kV
SURGE CURRENT	≤ 8 A (≤ 10ms MAX. 5Hz)
MAX. VOLTAGE DROP	≤ 6 V
OUTPUT FUNCTION	2-WIRE, NORMALLY OPEN, AC SELF-CONTAINED
MIN. OPERATIONAL CURRENT	≥ 3 mA
MAX. SWITCHING FREQUENCY	≤ 0.02 kHz
SHORT-CIRCUIT PROTECTED	NO
HOUSING MATERIAL	METAL, CHROME-PLATED BRASS
ACTIVE FACE	PLASTIC, PA12-GF30
CABLE	PVC JACKET, 2 METER LENGTH
VIBRATION RESISTANCE	55 Hz, 1 mm AMPLITUDE (IN ALL 3 PLANES)
SHOCK RESISTANCE	30 g, 11 ms
DEGREE OF PROTECTION	IP 67
SWITCHING STATUS INDICATION	LED, RED



SOURCE DRAWING - FOR REFERENCE ONLY

RELATED DOCUMENTS		3RD ANGLE PROJECTION		THIS DRAWING IS CONFIDENTIAL AND THE PROPERTY OF TURCK INC. USE OF THIS DOCUMENT WITHOUT WRITTEN PERMISSION IS PROHIBITED.		3000 CAMPUS DRIVE MINNEAPOLIS, MN 55441 1-800-544-7769 (763) 553-7300 (763) 553-0708 fax www.turck.us	
1. 2. 3. 4.				DRFT RDS DATE 09/08/05		DESCRIPTION B110-G30-AZ3X/S1030	
MATERIAL BRASS BARREL		ALL DIMENSIONS DISPLAYED ON THIS DRAWING ARE FOR REFERENCE ONLY		APVD BT SCALE NONE		IDENTIFICATION NO. 4345498	
FINISH COPPER, NICKEL, CHROME PLATING		CONTACT TURCK FOR MORE INFORMATION		UNIT OF MEASUREMENT INCH [MILLIMETER]		REV C	
C UPDATE ID NUMBER PER HARMONIZATION PROJECT		CBM 11/15/17		DO NOT SCALE THIS DRAWING		FILE: 4345498	
REV DESCRIPTION		BY DATE ECO NO.				SHEET 1 OF 1	

C	UPDATE ID NUMBER PER HARMONIZATION PROJECT	CBM	11/15/17	
REV	DESCRIPTION	BY	DATE	ECO NO.