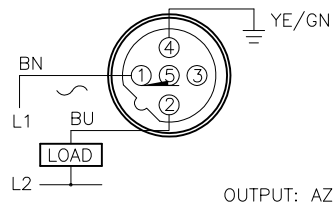


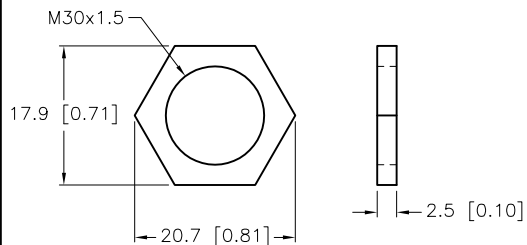
WIRING DIAGRAM



OUTPUT: AZ3X

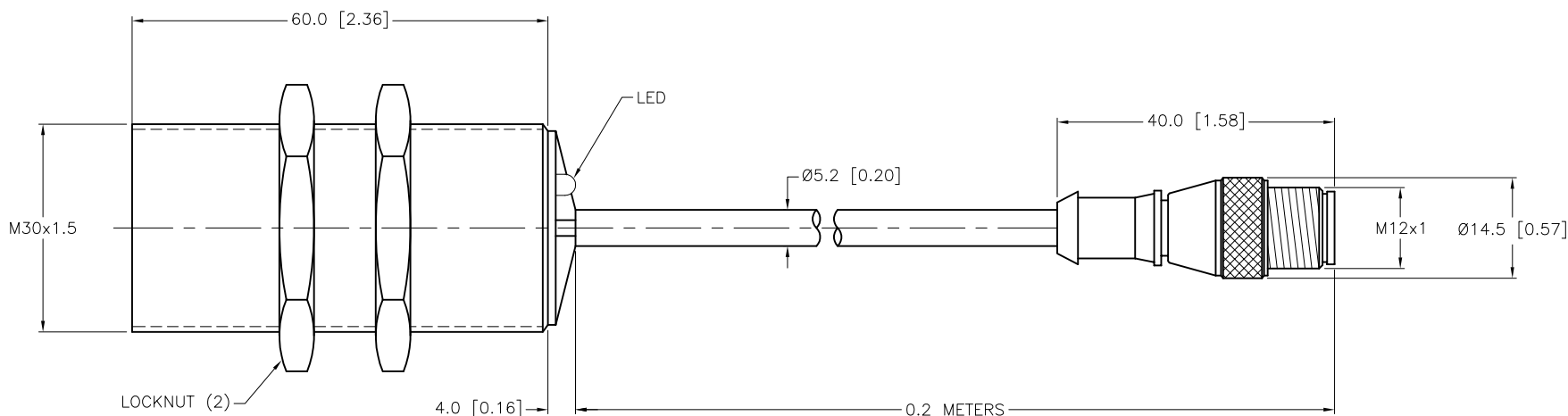
WARNING: NO SHORT-CIRCUIT PROTECTION
ALWAYS WIRE A LOAD IN SERIES WITH THE SENSOR.

LOCKNUT LN-M30



SPECIFICATIONS

OPERATING VOLTAGE	20-250 VAC/10-300 VDC
LINE FREQUENCY	40-60 Hz
DIFFERENTIAL TRAVEL (HYSTERESIS)	3-15% (5% TYPICAL)
VOLTAGE DROP ACROSS CONDUCTING SENSOR	≤ 7.0 V at 500 mA
OUTPUT FUNCTION	NORMALLY OPEN 2-WIRE AC SELF-CONTAINED
SHORT-CIRCUIT PROTECTED	NO
CONTINUOUS LOAD CURRENT	≤ 500 mA
OFF-STATE (LEAKAGE) CURRENT	≤ 1.7 mA
MINIMUM LOAD CURRENT	≥ 5.0 mA
INRUSH CURRENT	≤ 8.0 A (≤10 ms/5 Hz)
TIME DELAY BEFORE AVAILABILITY	≤ 25 ms
POWER-ON EFFECT PROTECTION	INCORPORATED
PROTECTION AGAINST TRANSIENTS	IEC 60947-5-2
OPERATING TEMPERATURE	-25°C to +70°C (-13°F to +158°F)
ENCLOSURE	MEETS NEMA 1, 3, 4, 6, 13 AND IEC IP67
SHOCK	30 g, 11 ms
VIBRATION	55 Hz, 1 mm AMPLITUDE (IN ALL 3 PLANES)
LED FUNCTION	RED: OUTPUT ENERGIZED
SENSING RANGE	10 mm = .394" (NOMINAL)
SWITCHING FREQUENCY	20 Hz
REPEATABILITY	≤ 2% of RATED OPERATING DISTANCE
EMBEDDABLE (SHIELDED)	NO



1. "/S626" DESIGNATES REVERSE KEYPED EUROFAST WIRED TO MATE WITH MICROSWITCH PROX. ALSO CROSSES TO BRAD HARRISON #81286 SERIES.

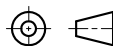
RELATED DOCUMENTS

- 1.
- 2.
- 3.
- 4.

MATERIAL
BRASS BARREL

FINISH
COPPER, NICKEL,
CHROME PLATING

3RD ANGLE
PROJECTION



ALL DIMENSIONS
DISPLAYED ON THIS
DRAWING ARE FOR
REFERENCE ONLY

CONTACT TURCK
FOR MORE
INFORMATION

THIS DRAWING IS
CONFIDENTIAL AND THE
PROPERTY OF TURCK
INC. USE OF THIS
DOCUMENT WITHOUT
WRITTEN PERMISSION IS
PROHIBITED.

DRFT RJP DATE 1/8/96
APVD SCALE 1=1.0

UNIT OF MEASUREMENT
MILLIMETER [INCH]

DO NOT SCALE THIS DRAWING

TURCK

3000 CAMPUS DRIVE
MINNEAPOLIS, MN 55441
1-800-544-7769
(763) 553-7300
(763) 553-0708 fax
www.turck.us

DESCRIPTION
BI10-G30-AZ3X-0.2M-WASW 4T/S626

IDENTIFICATION NO.
4345492

REV
E

FILE: 4345492

SHEET 1 OF 1

E	UPDATE ID NUMBER PER HARMONIZATION PROJECT	CBM	11/06/17	
REV	DESCRIPTION	BY	DATE	ECO NO.